

# PNEUMATIC ACTUATOR

## TYPE DVC5050: DOUBLE ACTING (AIR/AIR), DOUBLE ADJUST.



armatec

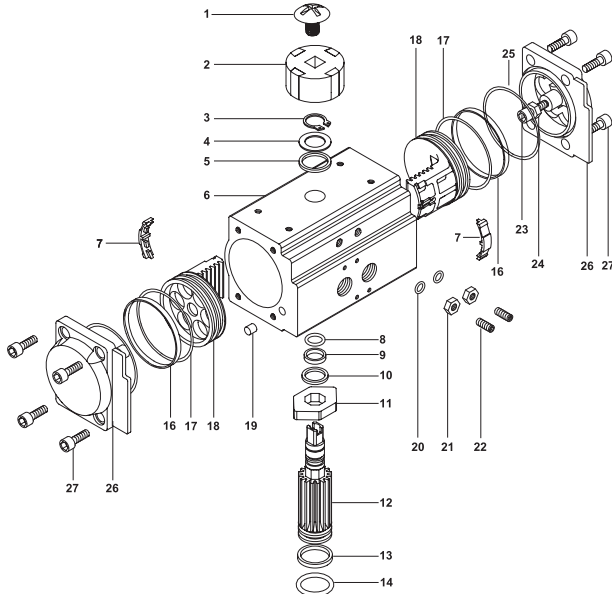


### GENERAL

TORQUE:	14 TO 3.500 NM AT 6 BAR
ROTATION ANGLE:	0° TO 90°. ADJUSTABLE +5° TO -5°
PRESSURE:	2 TO 8 BAR
TEMPERATURE:	-20° C TO +80° C (NBR)
WORK MEDIA:	AIR (PNEUROP/ISO CLASS 4)
CONNECTIONS:	ISO 5211 FOR BRACKETS DIN 3337 COUPLING (STAR SHAPED) VDI/VDE 3845 FOR ACCESSORIES NAMUR FOR WORK MEDIA
AIR SUPPLY:	1/4" - BSPP (1/2" BSPP FOR SIZE 270)
SURFACE MATERIAL:	HARD ANODISED ALUMINUM - 40µ

### OPTIONS

ROTATION ANGLE:	120° AND 180°
MATERIAL:	BODY IN STAINLESS STEEL
TEMPERATURE:	-20° C TO +150° C (FPM) TYPE 5052 -35° C TO +80° C (LNBR)
END CAP:	0 - 45° ADJUSTMENT OF OPENING



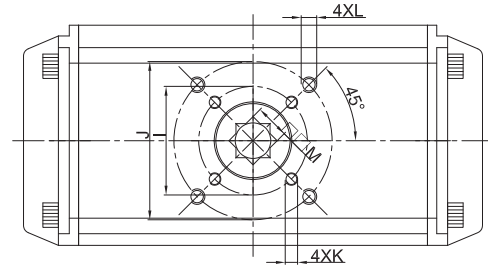
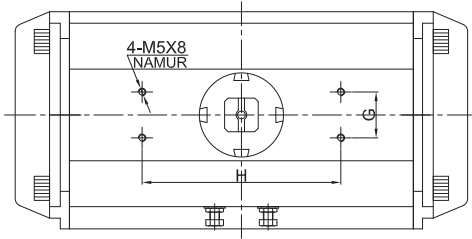
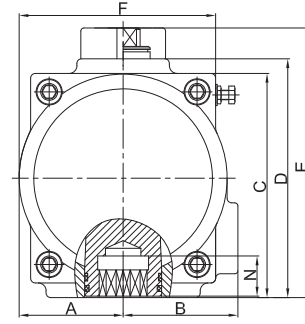
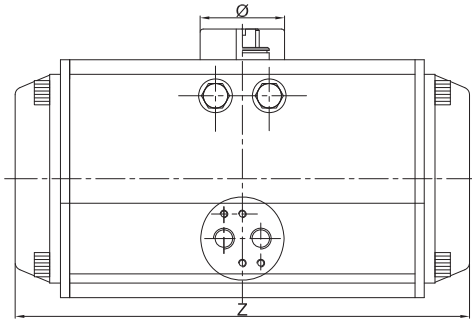
POS	BESKRIVELSE	MATERIALE
1	INDICATOR SCREW	PLASTIC
2	INDICATOR	PLASTIC / STAINLESS STEEL
3	SPRING CLIP	STAINLESS STEEL AISI 304
4	METAL WASHER	STAINLESS STEEL AISI 304
5	OUTSIDE WASHER	ENGINEERING PLASTICS
6	BODY	EXTRUDED ALUMINIUM ALLOY, 40µ
7	PLATE (PISTON)	ENGINEERING PLASTICS
8	INSIDE WASHER	ENGINEERING PLASTICS
9	O-RING (PINION TOP)	NBR
10	BEARING (PINION TOP)	ENGINEERING PLASTICS
11	TRAVEL STOP	STEEL
12	PINION	NICKLE PLATED STEEL
13	O-RING (PINION BOT.)	ENGINEERING PLASTICS
14	BEARING (PINION BOT.)	NBR
16	BEARING (PISTON)	ENGINEERING PLASTICS
17	O-RING (PISTON)	NBRE
18	PISTON	ALUMINUM CASTING 101A
19	HOLE SEALANT	NBR
20	O-RING (ADJUST. SCREW)	NBR
21	NUT (ADJUST. SCREW)	STAINLESS STEEL AISI 304
22	ADJUSTMENT SCREW	STAINLESS STEEL AISI 304
23	STOP SCREW	STAINLESS STEEL AISI 304
24	NUT (STOP SCREW)	STAINLESS STEEL AISI 304
25	O-RING (END CAP)	NBR
26	END CAP	ALUMINUM CASTING ADC12
27	CAP SCREW	STAINLESS STEEL AISI 304

### DESCRIPTION

- **Quality product** - based on modern technology and experience. Very long service.
- **Nickle plated pinion and stainless steel screws** provide maximum protection against corrosion.
- **Excellent protection against wear** with high quality bearings at all moving parts.
- **Double adjustable** at 0° and 90° degrees, perfect for quick and accurate adjustment especially for butterfly valves and 3-way ball valves.
- **Various actuator sizes** provide every possibility for perfect dimensioning.
- **Identification number** for easy identification and traceability.
- **100 % quality control** with function test and leakage test of all actuators.
- **Body** made from corrosion resistant, hard anodised aluminum - 40µm.

DS-DVC5050-UK-10-2025-REV. C  
We reserve the right for changes.

## DIMENSIONS



SIZE	A [MM]	B [MM]	C [MM]	D [MM]	E [MM]	F [MM]	G [MM]	H [MM]	ISO I	ISO J	K [MM]	L [MM]	M [MM]	N [MM]	Z [MM]	Ø [MM]
40	28.5	36.5	60.0	66.5	80.0	52.0	30	80	42 / F04	-	M5 x 8	M6 x 10	9 / 11	14	122	40
52	30.0	42.0	66.0	72.0	92.0	65.0	30	80	42 / F04	-	M5 x 8	-	11	14	145	40
52	30.0	42.0	66.0	72.0	92.0	65.0	30	80	36 / F03	50 / F05	M5 x 8	M6 x 10	11	14	145	40
63	36.0	47.0	81.0	88.0	108.0	72.0	30	80	50 / F05	70 / F07	M6 x 10	M8 x 13	14	18	166	40
75	42.0	53.0	94.0	100.0	120.0	81.0	30	80	50 / F05	70 / F07	M6 x 10	M8 x 13	14	18	180	40
83	46.0	57.0	99.0	109.0	129.0	92.0	30	80	50 / F05	70 / F07	M6 x 10	M8 x 13	14 / 17	18 / 21	205	40
92	50.0	59.0	111.0	117.0	137.0	98.0	30	80	50 / F05	70 / F07	M6 x 10	M8 x 13	22	26	258	40
105	58.0	64.0	123.0	133.0	153.0	110.0	30	80	70 / F07	102 / F10	M8 x 13	M10 x 16	22	26	270	40
125	68.0	75.0	146.0	155.0	175.0	128.0	30	80	70 / F07	102 / F10	M8 x 13	M10 x 16	22	26	302	55
140	75.0	77.0	161.0	172.0	192.0	138.0	30	80	102 / F10	125 / F12	M10 x 16	M12 x 20	27	31	394	55
140	75.0	77.0	161.0	172.0	192.0	138.0	30	80	140 / F14	-	M10 x 16	M12 x 20	22	26	394	55
160	87.0	87.0	184.0	197.0	217.0	158.0	30	80	102 / F10	125 / F12	M10 x 16	M12 x 20	22 / 27	26 / 31	451	55
190	103.0	103.0	216.0	230.0	260.0	189.0	30	130	125 / F12	-	M12 x 20	-	27	31	522	80
190	103.0	103.0	216.0	230.0	260.0	189.0	30	130	140 / F14	-	M16 x 25	-	27	31	522	80
210	113.0	113.0	235.5	255.0	285.0	210.0	30	130	125 / F12	-	M12 x 20	-	27	31	527	80
210	113.0	113.0	235.5	255.0	285.0	210.0	30	130	140 / F14	-	M16 x 25	-	36	40	527	80
240	130.0	130.0	264.5	289.0	319.0	245.0	30	130	165 / F16	-	M20 x 25	-	46	50	598	80
270	147.0	147.0	299.0	326.0	356.0	273.0	30	130	165 / F16	-	M20 x 25	-	46	50	720	80

Other ISO measures and larger dimensions on request.

## ACTUATOR DATA

ACTUATOR SIZE	DOUBLE ACTING (AIR / AIR)											WEIGHT [KG]	AIR [Ltr]	
	TORQUE [Nm]												OPEN	CLOSE
	PRESSURE IN BAR													
	2	2.5	3	4	4.5	5	5.5	6	7	8				
40	4.8	6.0	7.2	9.5	10.7	11.9	13.1	14.3	16.7	19.1	0.8	0.06	0.08	
52	8.0	10.0	12.0	16.0	18.0	20.0	21.9	23.9	27.9	31.9	1.4	0.12	0.16	
63	14.6	18.2	21.9	29.2	32.8	36.5	40.1	43.8	51.1	58.4	2.0	0.21	0.23	
75	20.1	25.1	30.1	40.1	45.1	50.2	55.2	60.2	70.2	80.3	2.7	0.30	0.34	
83	31.4	39.2	47.0	62.7	70.5	78.4	86.2	94.1	109.7	125.4	3.1	0.43	0.47	
92	45.1	56.4	67.7	90.3	101.6	112.9	124.1	135.4	158.0	180.6	4.6	0.64	0.73	
105	66.1	82.7	99.2	132.2	148.8	165.3	181.8	198.4	231.4	264.5	6.8	0.95	0.88	
125	100.3	125.4	150.5	200.6	225.7	250.8	275.9	301.0	351.1	401.3	8.9	1.60	1.40	
140	171.0	213.8	256.5	342.0	384.8	427.5	470.3	513.0	598.5	684.0	13.3	2.50	2.20	
160	266.0	322.5	399.0	532.0	598.5	665.0	731.5	798.0	931.0	1064.0	20.1	3.70	3.20	
190	425.6	532.0	638.4	851.2	957.6	1064.0	1170.4	1276.8	1489.6	1702.4	31.3	5.90	5.40	
210	532.0	665.0	798.0	1064.0	1197.0	1330.0	1463.0	1596.0	1862.0	2128.0	46.8	7.50	7.50	
240	769.5	961.9	1154.3	1539.0	1731.4	1923.8	2116.1	2308.5	2693.3	3078.0	67.3	11.00	9.00	
270	1169.6	1462.1	1754.5	2339.3	2631.7	2924.1	3216.5	3508.9	4093.7	4678.6	96.9	17.00	14.00	

Torques at different air pressures then the above can be informed.