

# ELECTRICAL ACTUATOR

## TYPE DVC5630-010-015-030



armatec

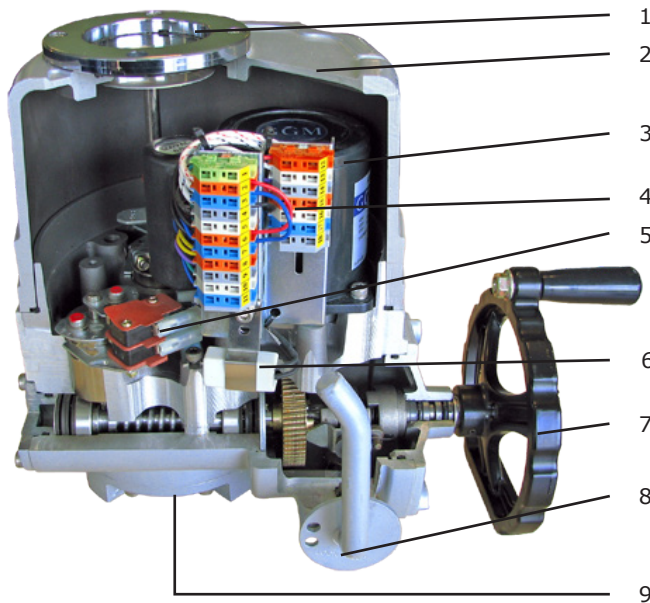


### GENERAL

MATERIAL:	ALUMINUM, POLYESTER POWDER COATED.
POWER SUPPLY:	230V/50/60HZ AC; 24V AC/DC
ENCLOSURE:	IP67
TEMPERATURE:	-20° C / +70° C
TRAVEL ANGLE:	90°
TORQUE:	100-300Nm
TORQUE LIMITER:	ELECTRONIC
DUTY RANGE:	S2 30 MIN
ISO FLANGE:	ISO 5211
DUTY RANGE:	S2 30 MIN
LIMIT SWITCH:	4 X SPDT MECHANICAL SWITCH
SPACE HEATER:	7/10W
CABLE ENTRIES:	M25, MANUAL HANDWHEEL VISIBLE POSITION INDICATOR

### OPTION

POSITIONER:	4 - 20mA
POTENTIOMETER:	1 KΩ - 10 KΩ
BATTERY BACKUP:	1 PHASE 50/60 HZ
CLASS:	IP68
VOLTAGE:	3 PHASE 400VAC
TORQUE:	500-3000Nm
DUTY RANGE:	S4 70% MAX. 300-1600 START/HOUR (INTERMITTENT OPERATION)
DESIGN:	ATEX
TEMPERATURE:	-40° C



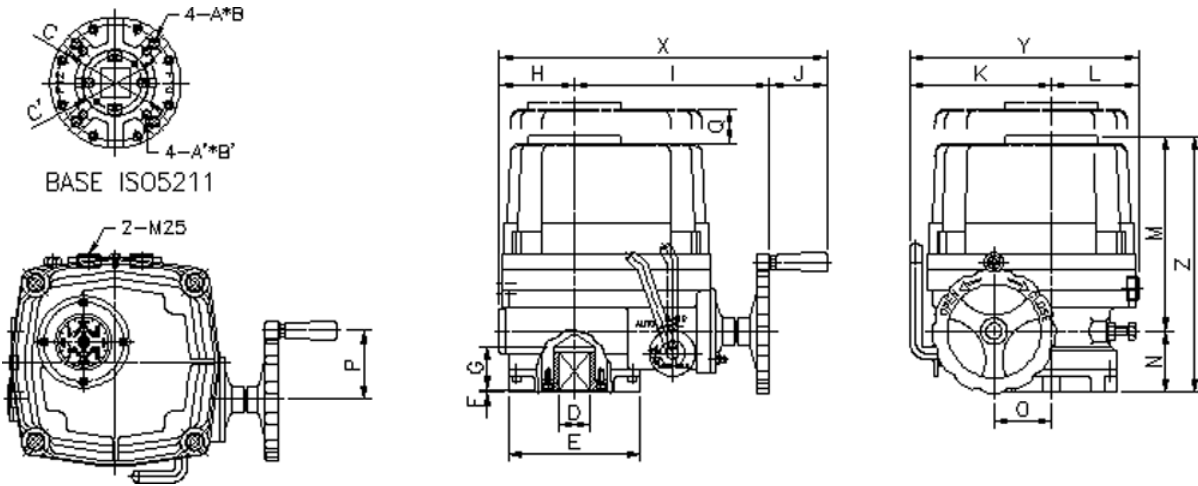
POS	DESCRIPTION	MATERIALS
1	POSITION INDICATOR	GLASS / ALUMINUM
2	BODY	POLYESTERCOATED ALUMINIUM
3	MOTOR	
4	TERMINAL BLOCK	POLYAMID
5	LIMIT SWITCH / CAM	SPDT / POLYCARBONAT
6	SPACE HEATER	CERAMIC
7	HAND WHEEL	POLYESTERCOATEDALUMINIUM
8	MANUAL OVERRIDE	POLYESTERCOATEDALUMINIUM
9	ISO MOUNTING PLATE	POLYESTERCOATEDALUMINIUM

### DESCRIPTION

- **Rugged and compact design**, ideal for bigger valves up to 300Nm.
- **Metal gearbox** insures long life time.
- **Double square connection** provides greater flexibility regarding mounting.
- **Thermostatic heater** prevents condensation inside the casing.
- **Very simple installation** due to ISO 5211 mounting flange.
- **Casing in anodized aluminum** exterior is polyester coated on the outside in grey colour.
- **Good visual indication** of open and closed valve.
- **Manual operation** via buttom hand wheel.
- **Power supply** can be delivered as 24DC, 24AC, 230VAC. Also available with positioner control.

DS-DVC5630-UK-05-2026-REV. C  
We reserve the right for changes.

**DIMENSION 015-030**

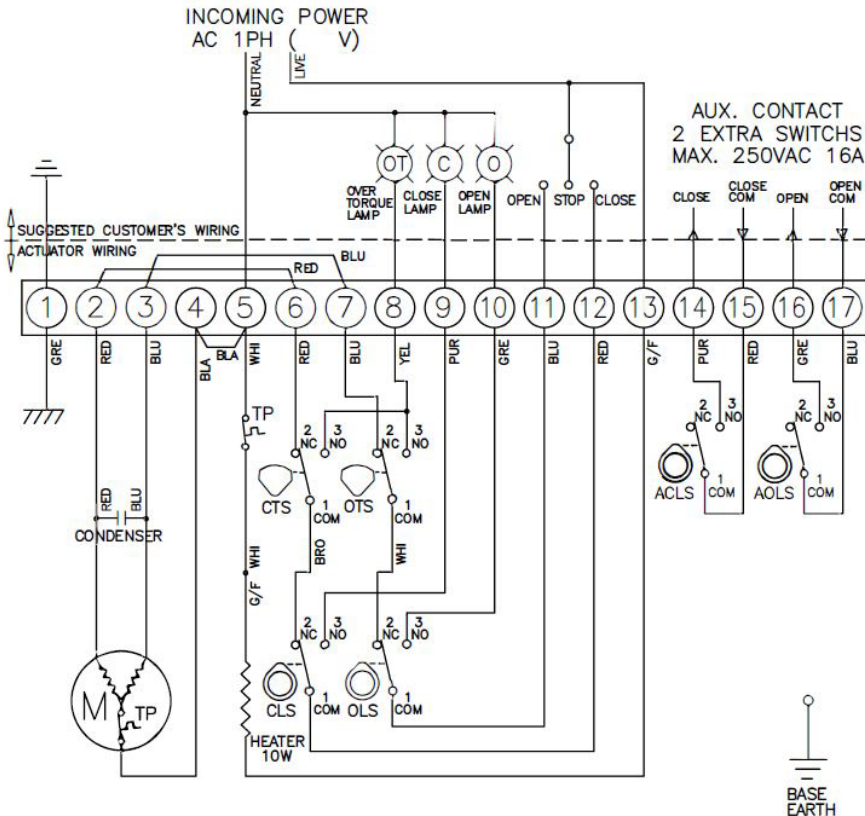


MODEL	ISO 5211	A	D	E	F	G	H	I	J	K	L	M	N	O	P	Q	X	Y	Z
	ØC	B																	
010	F07	M8	17	94	3	32	57	160	51	100	60	167	68	40	60	160	265	166	135
	F10	12																	
015	F07/F10	M8/M10	17	125	3	42	73	200	65	142	87	192	68	54	78	160	338	229	268
	Ø70/Ø102	12/15																	
030	F10/F12	M10/M12	22	148	3	49	82	221	65	160	99	221	69	65	78	180	368	259	290
	Ø102/Ø125	15/18																	

**ACTUATOR DATA**

MODEL	TORQUE [Nm]	OPERATION TIME90° [SEC]	ISO 5211	POWER CONSUMPTION 50/60Hz [A]		DUTY CYCLE		WEIGHT [KG]
				230V AC	24V AC/DC	ON/OFF [S2]	MODULATING [S4]	
010	100	20	F07	0,7	1,3	30 min.	70%	8,0
015	150	25	F07/F10	0,84	-	30 min.	70%	16,6
030	300	31	F10/F12	0,92	.	30 min.	70%	22,0

**TYPICAL WIRE DIAGRAM**



Symbol	Description	Ration
CLS	Close limit switch	250VAC 10A
OLS	Open limit switch	250VAC 10A
CTS	Close torque switch	250VAC 10A
OTS	Open torque switch	250VAC 10A
ACLS	Aux. close limit switch	250VAC 16A
AOLS	Aux. open limit switch	250VAC 16A
TP	Thermal protector	250VAC 15A