



Product information

Steel cone valve with flanges, PN 40. Equipped with a bellows that prevents the medium from coming into contact with the packing box. Maintenance-free, external spindle thread, indicator device that marks the open/closed position, non-rising handwheel. Used as a shut-off valve for non-aggressive fluids, gas and steam.

Dimension range (DN)	15 - 250
PN	40
Temperature (°C)	-10 - 400
Main material	Steel

Area of use

As a shut-off valve for non-aggressive fluids, gas, and steam.

Tender text

PSB.5 Ball valves and needle valves

Quality assurance

AFS 2023:5, PED 2014/68/EU

The product is CE marked

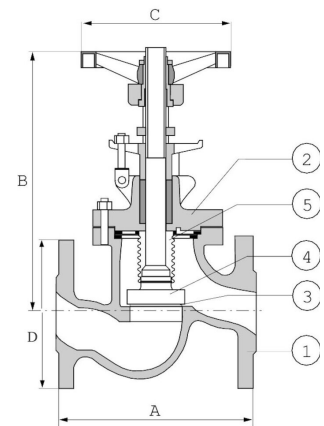
Product marking: Manufacturer, DN, PN, CE, material, and arrow indicating flow direction.

Energy and environment declaration

Reach date: 12/3/2024 1:00:02 PM

Reach note: The product is not covered by REACH

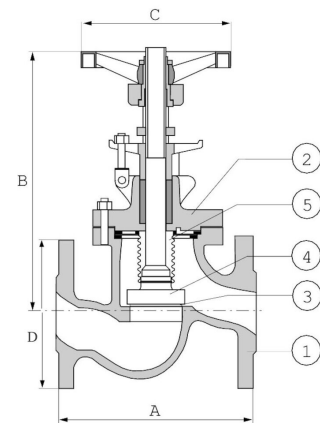
Pos	Component	Material
1	Body	Steel GP240GH N (1.0619)
2	Bonnet	Steel GP240GH N (1.0619)
3	Seat	Steel GP240GH N (1.0619)
4	Globe	Steel GP240GH N (1.0619)
5	Bellows seal	Acid resistant stainless steel AISI 316 (1.4401)



Measurements and weight

Dimension range (DN): 15 - 250

DN	A	B	C	D	Net weight (kg)
15	130	185	140	95	5
20	150	185	140	105	6
25	160	220	160	115	7
32	180	220	160	140	8
40	200	235	180	150	10
50	230	255	180	165	13
65	290	300	225	185	19
80	310	335	250	200	25
100	350	370	300	235	43
125	400	390	350	270	62
150	480	400	400	300	92
200	600	495	500	375	148



Function and design

The bellows (5) prevent the medium from coming into contact with the packing box. This means that the risk of packing box leakage is eliminated.

- Maintenance-free
- External spindle thread
- Indicator device that marks open/closed position
- Non-rising handwheel

Maximum working pressure and temperature

35 bar at 200°C

28 bar at 300°C

21 bar at 400°C

Technical data

Main material: Steel

Main material code: Steel GP240GH N (1.0619)

Included materials: Stainless steel, Steel

Included material code: Acid resistant stainless steel AISI 316 (1.4401), Steel GP240GH N (1.0619)

Temperature (°C): -10 - 400

Temperature notes: DIN EN 1092 determines the allowable operating pressure in relation to temperature. Maximum 35 bar at 200°C, maximum 28 bar at 300°C, maximum 21 bar at 400°C.

PN: 40

Connection: Flanged EN1092

ETIM classification: EC010120 - Globe valve

BK04 code: 20707 Mushroom valves

DN	15	20	25	32	40	50	65	80	100	125	150	200
KVS	4.8	7.3	9.6	17.8	27.3	40.1	70.1	111	172	264	374	701

Installation and maintenance

Possible mounting position: Vertical, Horizontal

Can be installed in any built-in position except for downward-facing knob. Vibrations in the pipe system should be avoided. The system should be flushed before commissioning.

Please feel free to contact us

We answer your questions by e-mail and telephone. No question is too small, no challenge is too big. You are always welcome at Armatec.

info@armatec.se | +46 31 89 01 00 | www.armatec.se

THE COMPANY'S MANAGEMENT SYSTEM
IS CERTIFIED BY DNV
ISO 9001 • ISO 14001