

TABLE	
TAG NO	WEIGHT (Kg)
	1160

TABLE				
ITEM	Description	QTY	Make/Model	Material
91	Limit Switch	1		A182 SS316
92	Pneumatic Spring Return Actuator	1		CS
93	Filter Regulator and Lubricator	1		SS316L
94	Relief Valve	1		SS316L
95	1/4" Solenoid Valve	1		SS316L
96	1/4" Flow Control Valve W/O Check Valve	1		SS316L

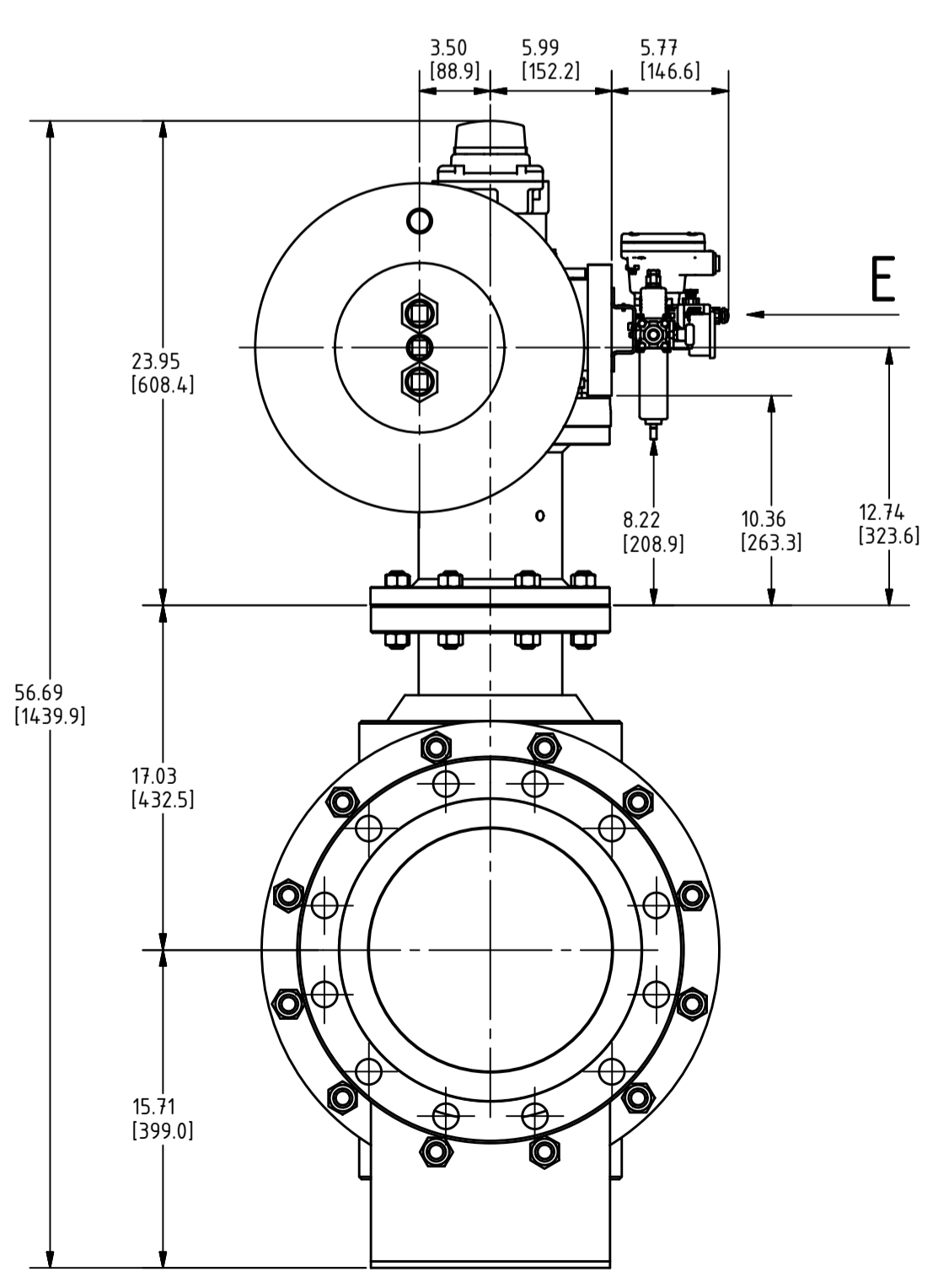
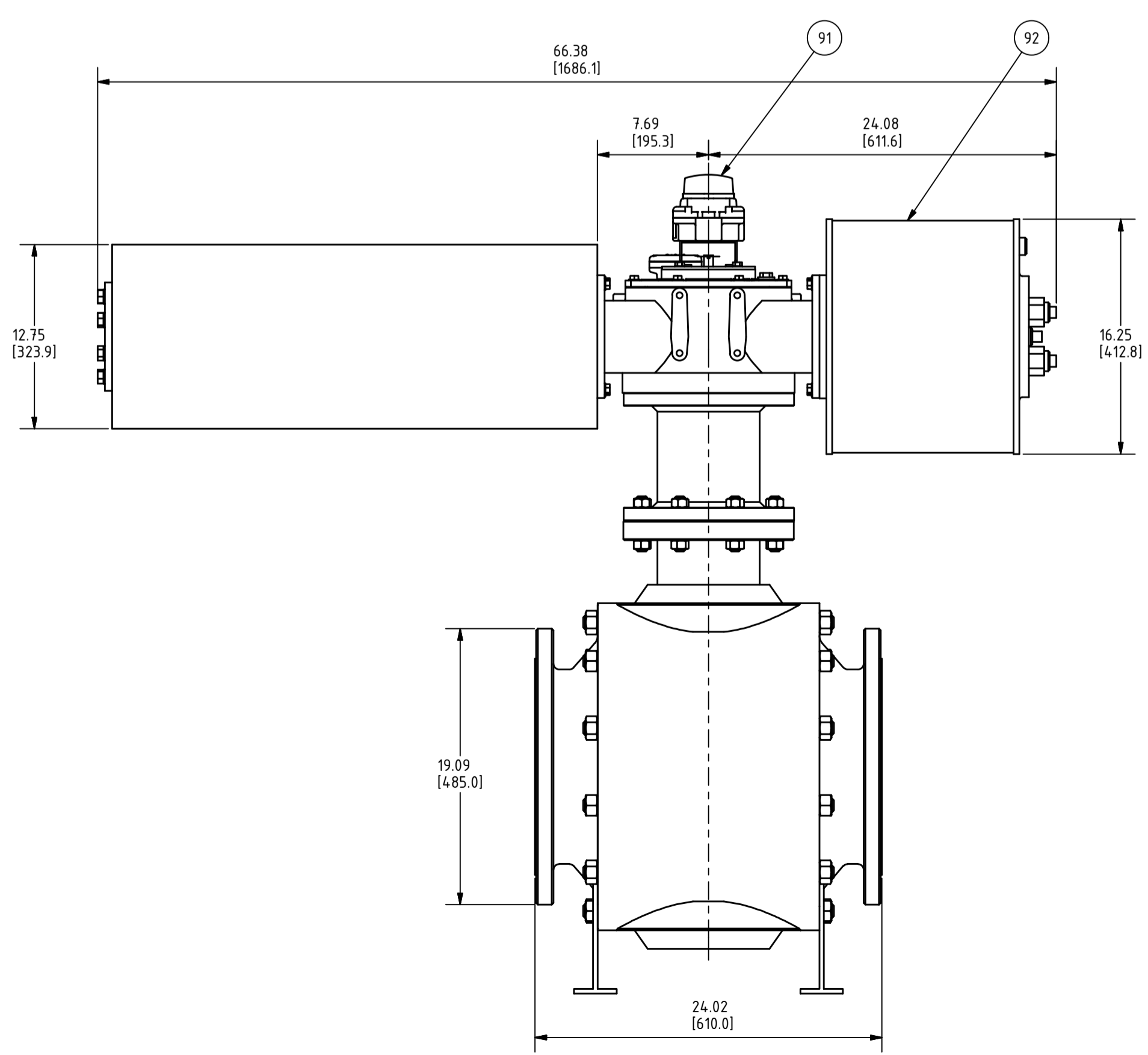
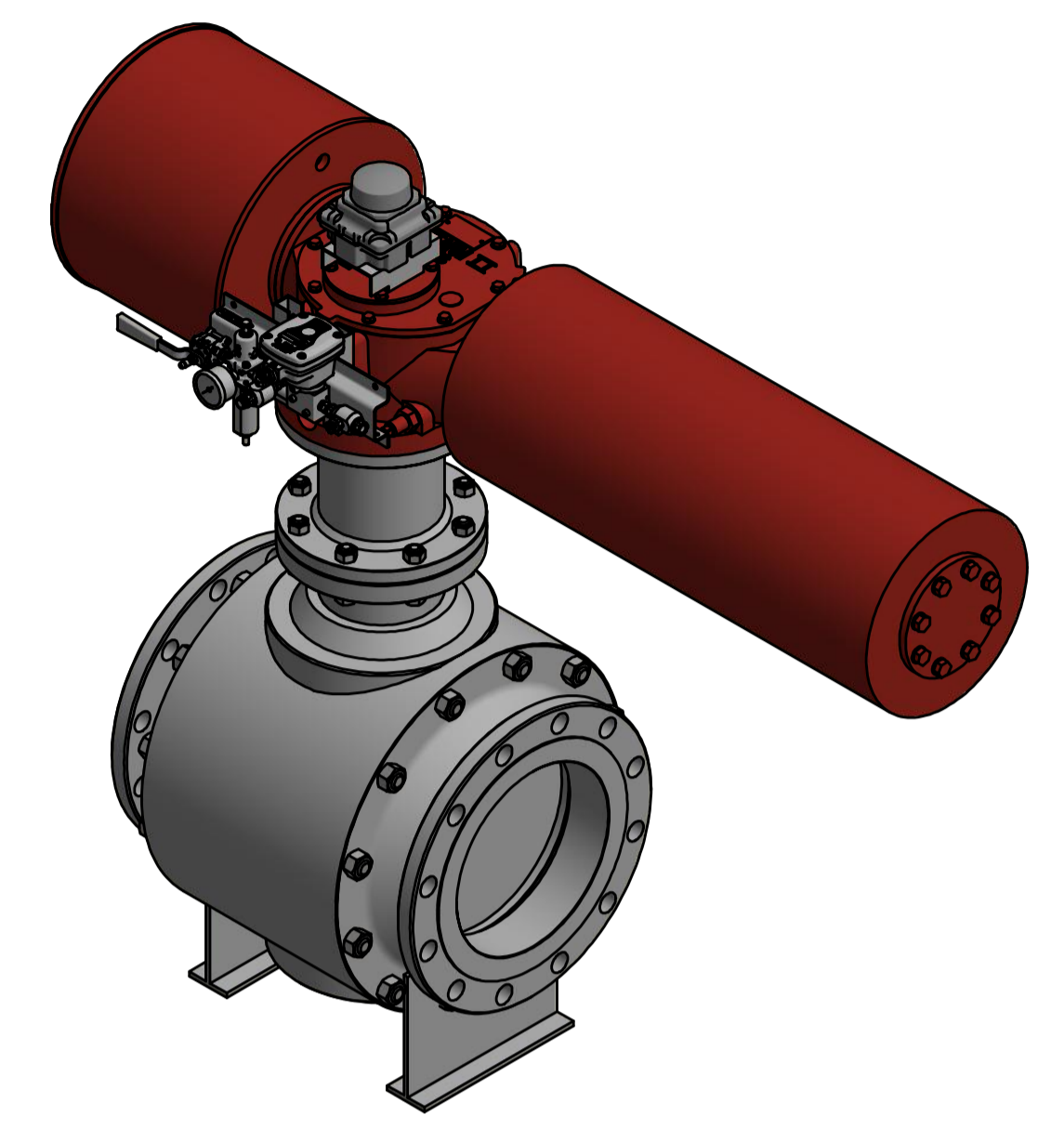
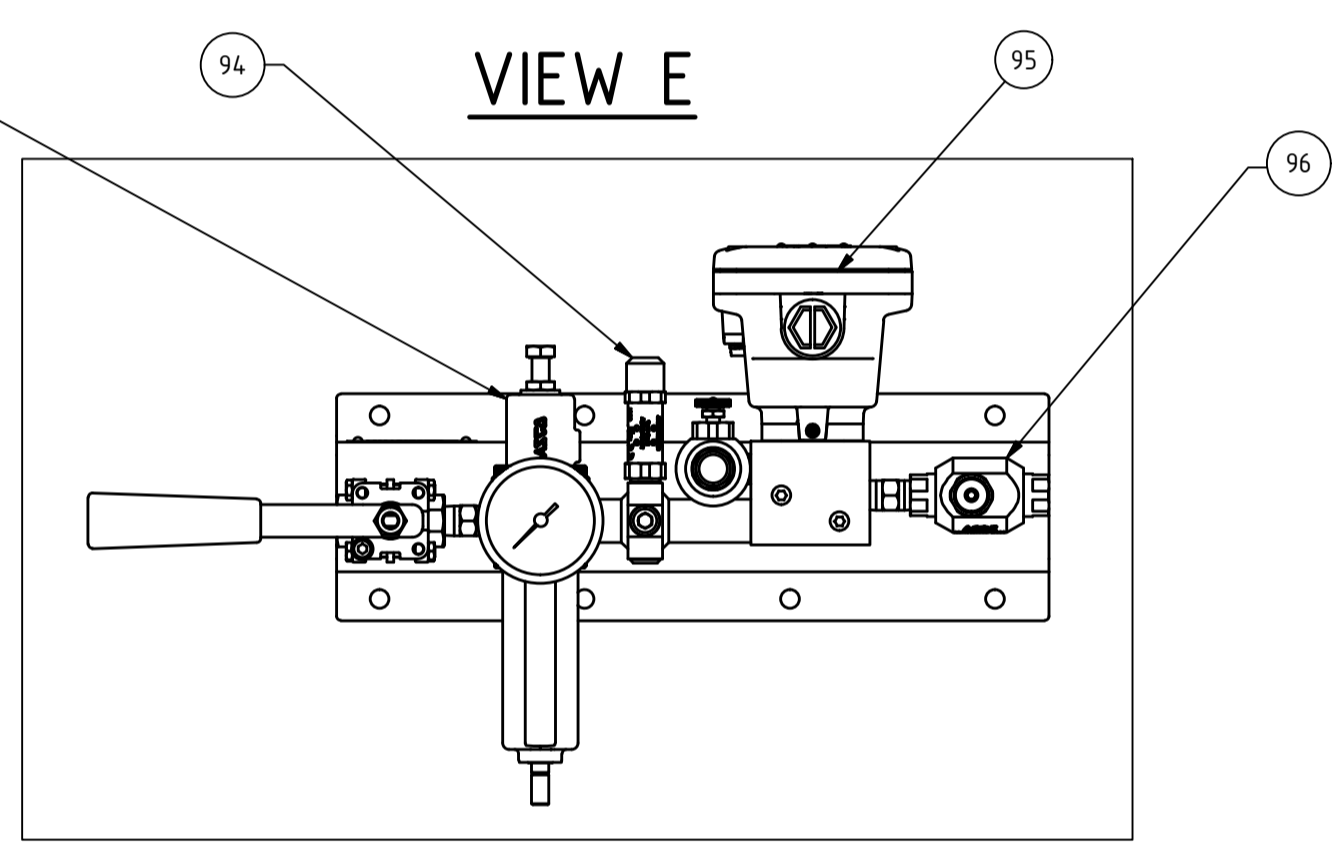
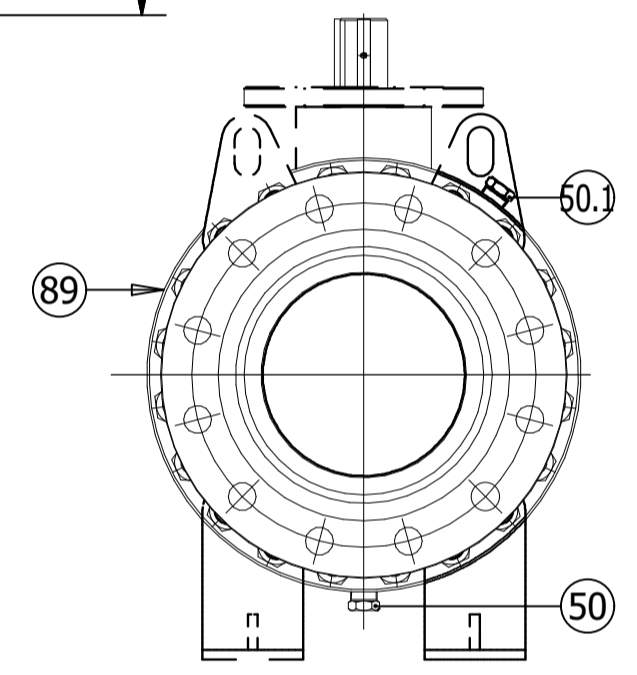
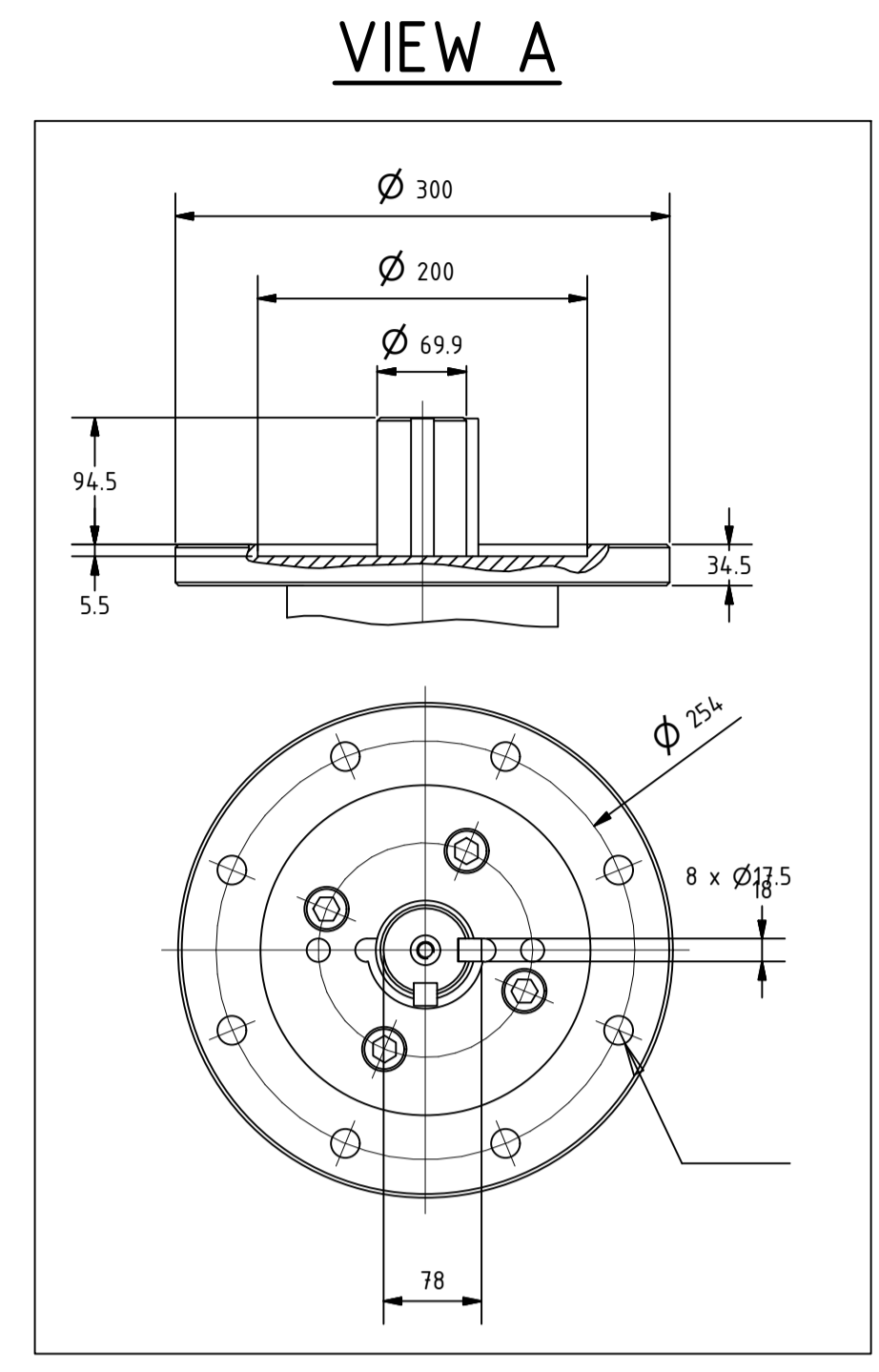
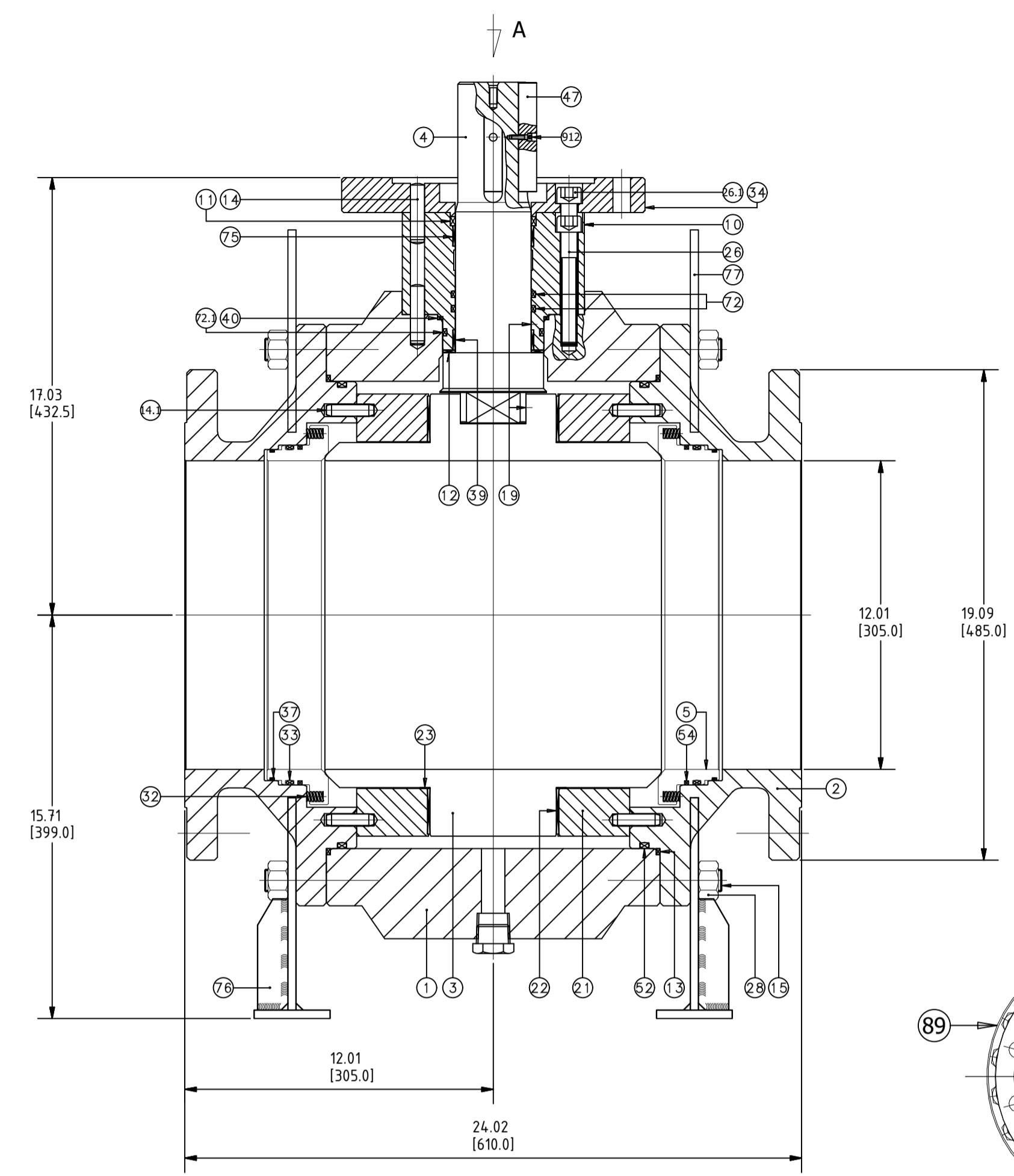


TABLE				
Valve Size (in.)	12	Pressure Class (#)	150	
Face to Face (mm)	610	Flanges	ASME B16.5 - RF	
Design Standard	API 6D	Inspection & Testing	API 598 / API 6D	
Valve Type	JC 6015	Construction	Trunnion Metal Seated	
Valve Bore	Full	NACE	MR0175	
Coating	ISO 12944.C5M	Fire Safe	ISO 10497 / API 607	
ITEM	PART NAME	QTY	MATERIAL	REMARKS
1	BODY	1	A 105N	
2	BODY CONNECTOR	2	A 105N	
3	BALL	1	A 182 Gr. F316 + TCC	
4	STEM	1	NITRONIC-50	
5	SEAT RING	2	A 182 Gr. F316 + TCC	
10	GLAND	1	A 105N	
11	GLAND PACKING	1	GRAPHITE	
12	STEM THRUST SEAL	1	AISI-316 + HT-65	
13	BODY CONNECTOR SEAL	2	GRAPHITE	
14	STOP PIN	4	STAINLESS ST.	
14.1	STOP PIN	4	STAINLESS ST.	
15	STUD	48	A 193 Gr. B7M TRIV. WHITE ZINC ASTM B633 SC2 TYPE V	
19	ANTISTATIC DEVICE	2	STAINLESS ST.	
21	BALL TRUNNION	2	A 182 Gr. F316	
22	TRUNNION BEARING	1	AISI-316 WITH INSIDE IN PTFE	
23	BEARING	1	AISI-316 + HT-65	
26	BOLT	4	A 193 Gr. B7M TRIV. WHITE ZINC ASTM B633 SC2 TYPE V	
26.1	BOLT	4	A 193 Gr. B7M TRIV. WHITE ZINC ASTM B633 SC2 TYPE V	
28	NUT	24	A 193 Gr. B7M TRIV. WHITE ZINC ASTM B633 SC2 TYPE V	
32	SPRING	--	INCONEL X-750	
33	SEAT SEAL	2	AFLAS	
34	UPPPER CAP	1	A 105N	
37	"O" RING	2	AFLAS	
39	STEM BUSHING	1	AISI-316 WITH INSIDE IN PTFE	
40	GASKET	1	GRAPHITE	
47	KEY	2	STAINLESS ST.	
50	DRAIN PLUG	1	A 105N	
50.1	VENT PLUG	1	A 105N	
52	"O" RING	2	AFLAS	
54	SEAT CARRIER SEAL	2	GRAPHITE	
72	"O" RING	2	AFLAS	
72.1	"O" RING	1	AFLAS	
75	STEM BUSHING	1	AISI-316 WITH INSIDE IN PTFE	
76	SUPPORT	2-2	CARBON ST.	
77	LUG	4	CARBON ST.	
89	IDENTIFICATION PLATE	1	STAINLESS ST.	
912	BOLT	2	A4	
	CAP	2	--	

A		ISSUED FOR REVIEW		02/10/18		Siddhant	Siddhant	Nerseht	Paldan
Rev.	Reason for issue	Date	Drawn	Issued	Checked	Approved			
Discipline.	System No.	Area/Module.	IMO no.	Project no.	Scale.	Format/Size.	A3		
Client:			Unit/Field:			Subject:			
						General Arrangement Shutdown Valve			
Client doc. no:			Rev.			Sheet			
Client doc. no:			A			1/1			
Ref. doc. no:									

