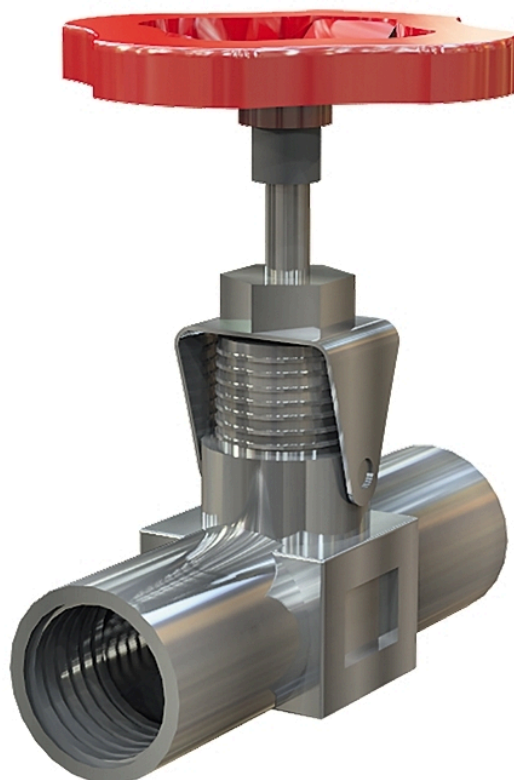


Needle valve AT 1890B



Product information

Needle valve for shut off and regulating steam, gases and liquids. Fitted with a locking collar that prevents the packing box nut and stem from loosening during operation and vibration. The valves are internally threaded with rising stem and knob.

Dimension range (DN)	8 - 15
PN	400
Temperature (°C)	0 - 300
Main material	Stainless steel

Area of use

For shut off off and regulating

- steam
- gases
- liquids

Tender text

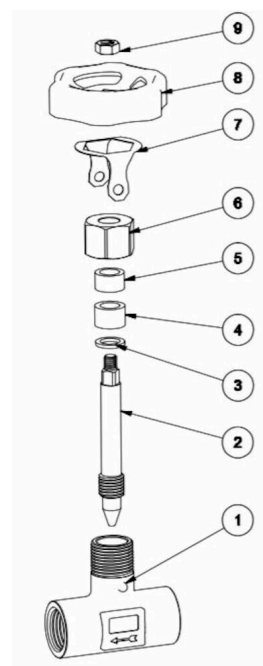
PSB.5 Ball valves and needle valves

Quality assurance

AFS 2023:5, 8 paragraf, PED 2014/68/EU art 4.3

Product marking: DN, PN and flow direction arrow.

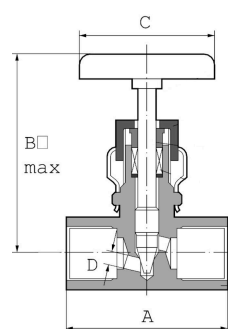
Pos	Component	Material
1	Valve body	Acid resistant stainless steel AISI 316 (1.4401)
2	Stem	Acid resistant stainless steel AISI 316 (1.4401)
3	Gasket	Acid resistant stainless steel AISI 316 (1.4401)
4	Gland	PTFE (polytetrafluoroethylene)
5	Bushing	Acid resistant stainless steel AISI 316 (1.4401)
6	stuffing box nut	Acid resistant stainless steel AISI 316 (1.4401)
7	Locking shackle	Acid resistant stainless steel AISI 316 (1.4401)
8	Handwheel	



Measurements and weight

Dimension range (DN): 8 - 15

DN	A	B	C	Net weight (kg)
8	59	82.8	58	0.487
10	59	82.8	58	0.487
15	59	82.8	58	0.487



Function and design

Fitted with a locking collar that prevents the packing box nut and stem from loosening during manoeuvring and vibration. The valves have internal spindle threading with rising stem and knob.

Technical data

Main material: Stainless steel

Main material code: Acid resistant stainless steel AISI 316 (1.4401)

Included materials: Stainless steel, Rubber, Other

Included material code: Acid resistant stainless steel AISI 316 (1.4401), PTFE (polytetrafluoroethylene)

Temperature (°C): 0 - 300

PN: 400

Connection: Internal thread ISO 228-1 (G, BSPP)

ETIM classification: EC010120 - Globe valve

Installation and maintenance

Flowdirection: Bi-directional

Possible mounting position: Vertical, Horizontal

The company's management system
is certified by DNV
ISO 9001 • ISO 14001

Get into the flow

Get into the flow with Armatec.



armatec

info@armatec.se | +46 31 89 01 00 | www.armatec.se