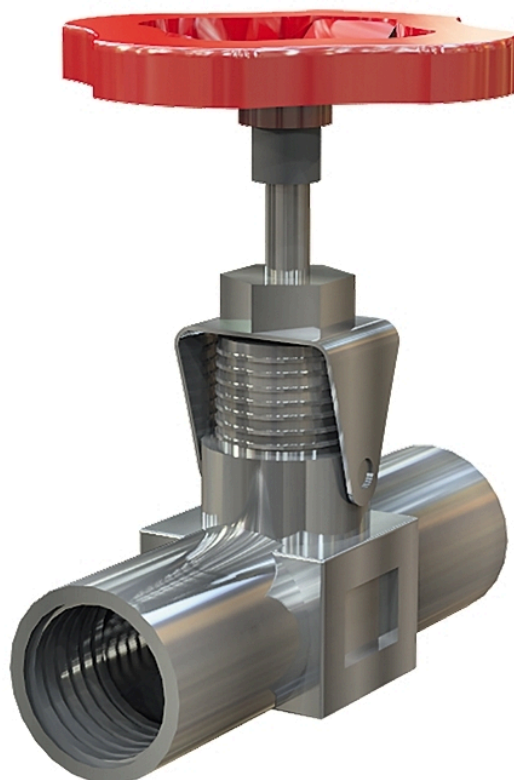


# Needle valve AT 1890B



## Product information

Needle valve for shut off and regulating steam, gases and liquids. Fitted with a locking collar that prevents the packing box nut and stem from loosening during operation and vibration. The valves are internally threaded with rising stem and knob.

|                             |                 |
|-----------------------------|-----------------|
| <b>Dimension range (DN)</b> | 8 - 15          |
| <b>PN</b>                   | 400             |
| <b>Temperature (°C)</b>     | 0 - 300         |
| <b>Main material</b>        | Stainless steel |

### Area of use

For shut off off and regulating

- steam
- gases
- liquids

### Tender text

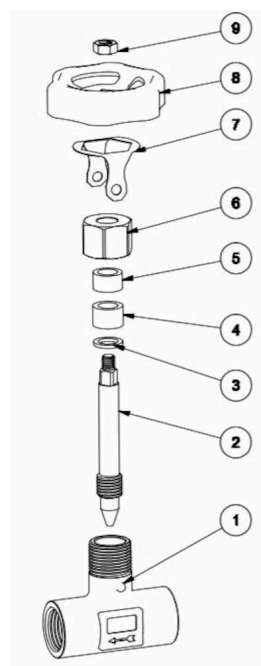
**PSB.5 Ball valves and needle valves**

### Quality assurance

AFS 2023:5, 8 paragraf, PED 2014/68/EU art 4.3

**Product marking:** DN, PN and flow direction arrow.

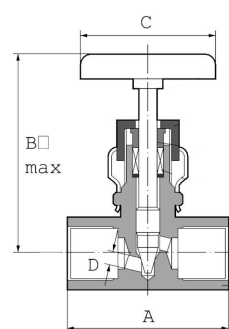
| Pos | Component        | Material   |
|-----|------------------|--|
| 1   | Valve body       | Acid resistant stainless steel AISI 316 (1.4401) |
| 2   | Stem             | Acid resistant stainless steel AISI 316 (1.4401) |
| 3   | Gasket           | Acid resistant stainless steel AISI 316 (1.4401) |
| 4   | Gland            | PTFE (polytetrafluoroethylene)                   |
| 5   | Bushing          | Acid resistant stainless steel AISI 316 (1.4401) |
| 6   | stuffing box nut | Acid resistant stainless steel AISI 316 (1.4401) |
| 7   | Locking shackle  | Acid resistant stainless steel AISI 316 (1.4401) |
| 8   | Handwheel        |  |



## Measurements and weight

Dimension range (DN): 8 - 15

| DN | A  | B    | C  | Net weight (kg) |
|----|----|------|----|-----------------|
| 8  | 59 | 82.8 | 58 | 0.487           |
| 10 | 59 | 82.8 | 58 | 0.487           |
| 15 | 59 | 82.8 | 58 | 0.487           |



## Function and design

Fitted with a locking collar that prevents the packing box nut and stem from loosening during manoeuvring and vibration. The valves have internal spindle threading with rising stem and knob.

## Technical data

**Main material:** Stainless steel

**Main material code:** Acid resistant stainless steel AISI 316 (1.4401)

**Included materials:** Stainless steel, Rubber, Other

**Included material code:** Acid resistant stainless steel AISI 316 (1.4401), PTFE (polytetrafluoroethylene)

**Temperature (°C):** 0 - 300

**PN:** 400

**Connection:** Internal thread ISO 228-1 (G, BSPP)

**ETIM classification:** EC010120 - Globe valve

## Installation and maintenance

**Flowdirection:** Bi-directional

**Possible mounting position:** Vertical, Horizontal

The company's management system  
is certified by DNV  
ISO 9001 • ISO 14001

# Get into the flow

Get into the flow with Armatec.



**armatec**

info@armatec.se | +46 31 89 01 00 | www.armatec.se