

Ball valve AT 3154-



Product information

3-way ball valve in "T" design. Reduced flow. Stainless steel.

| | |
|-----------------------------|-----------------|
| Dimension range (DN) | 15 - 65 |
| PN | 63 |
| Temperature (°C) | -25 - 180 |
| Main material | Stainless steel |

Area of use

3-way ball valve for distribution or mixing. T-shaped design.

Tender text

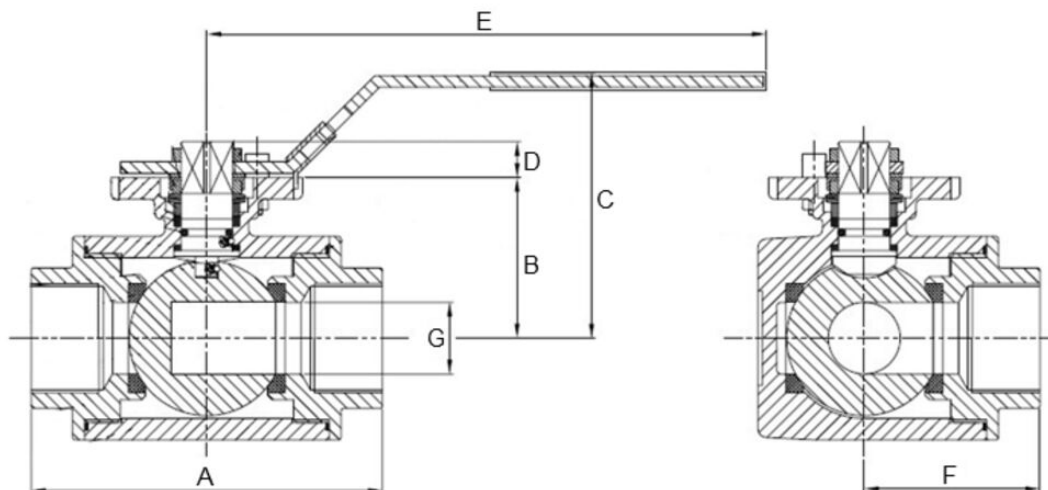
PSB.1 Ball valves

Quality assurance

AFS 2023:5, PED 2014/68/EU

Measurements and weight

Dimension range (DN): 15 - 65



| DN | A | B | C | D | E | F | G | Net weight (kg) |
|----|-----|----|-----|----|-----|----|----|-----------------|
| 15 | 75 | 37 | 66 | 7 | 130 | 37 | 12 | 0.63 |
| 20 | 88 | 41 | 72 | 7 | 161 | 42 | 15 | 0.95 |
| 25 | 100 | 47 | 77 | 7 | 161 | 50 | 20 | 1.4 |
| 32 | 122 | 56 | 92 | 7 | 203 | 61 | 25 | 2.9 |
| 40 | 131 | 60 | 96 | 12 | 203 | 65 | 32 | 3.6 |
| 50 | 158 | 71 | 107 | 12 | 203 | 79 | 40 | 6.25 |
| 65 | 178 | 95 | 135 | 12 | 203 | 79 | 49 | 9 |

Function and design

3-way valve with reduced flow in "T" design. Spindle with blow-out protection.

Technical data

Main material: Stainless steel

Main material code: Acid resistant stainless steel AISI 316 (1.4408, CF8M)

Included materials: Stainless steel, Rubber, Other

Included material code: Stainless steel AISI 304 (1.4301), Acid resistant stainless steel AISI 316 (1.4401), Acid resistant stainless steel AISI 316 (1.4408, CF8M), FPM/FKM (fluorine rubber), PTFE (polytetrafluoroethylene)

Temperature (°C): -25 - 180

PN: 63

Connection: Internal thread ISO 7/1 (BSPT, Kr)

ETIM classification: EC011343 - Ball valve

BK04 code: 20702 Ball valves

ProductColourAndColourNote: .

Installation and maintenance

Flowdirection: Bi-directional

Possible mounting position: Vertical, Horizontal

The valve should be regularly exercised to avoid the accumulation of dirt that can lead to leakage.

The company's management system
is certified by DNV
ISO 9001 • ISO 14001

Get into the flow

Get into the flow with Armatec.



armatec

info@armatec.se | +46 31 89 01 00 | www.armatec.se