

Ball valve AT 3154-



Product information

3-way ball valve in "T" design. Reduced flow. Stainless steel.

Dimension range (DN)	15 - 65
PN	63
Temperature (°C)	-25 - 180
Main material	Stainless steel

Area of use

3-way ball valve for distribution or mixing. T-shaped design.

Tender text

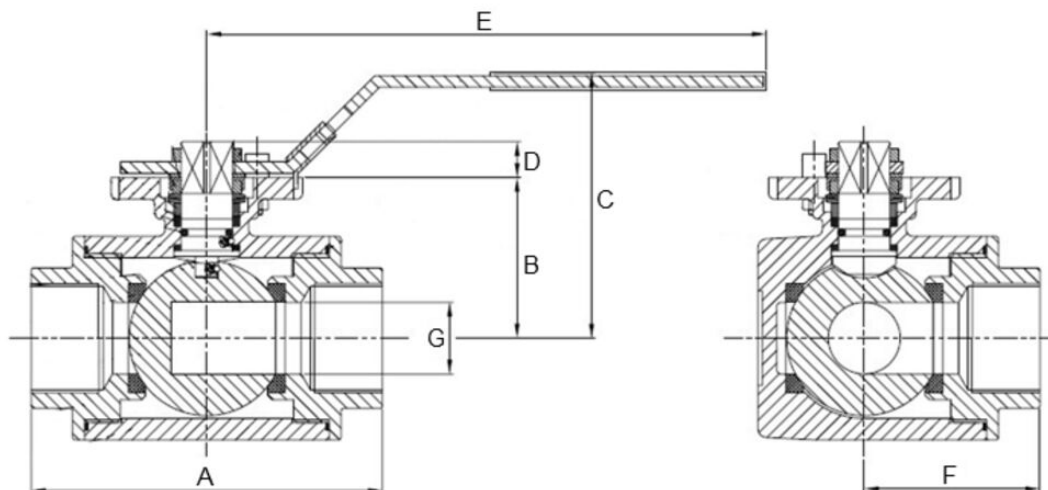
PSB.1 Ball valves

Quality assurance

AFS 2023:5, PED 2014/68/EU

Measurements and weight

Dimension range (DN): 15 - 65



DN	A	B	C	D	E	F	G	Net weight (kg)
15	75	37	66	7	130	37	12	0.63
20	88	41	72	7	161	42	15	0.95
25	100	47	77	7	161	50	20	1.4
32	122	56	92	7	203	61	25	2.9
40	131	60	96	12	203	65	32	3.6
50	158	71	107	12	203	79	40	6.25
65	178	95	135	12	203	79	49	9

Function and design

3-way valve with reduced flow in "T" design. Spindle with blow-out protection.

Technical data

Main material: Stainless steel

Main material code: Acid resistant stainless steel AISI 316 (1.4408, CF8M)

Included materials: Stainless steel, Rubber, Other

Included material code: Stainless steel AISI 304 (1.4301), Acid resistant stainless steel AISI 316 (1.4401), Acid resistant stainless steel AISI 316 (1.4408, CF8M), FPM/FKM (fluorine rubber), PTFE (polytetrafluoroethylene)

Temperature (°C): -25 - 180

PN: 63

Connection: Internal thread ISO 7/1 (BSPT, Kr)

ETIM classification: EC011343 - Ball valve

BK04 code: 20702 Ball valves

ProductColourAndColourNote: .

Installation and maintenance

Flowdirection: Bi-directional

Possible mounting position: Vertical, Horizontal

The valve should be regularly exercised to avoid the accumulation of dirt that can lead to leakage.

The company's management system
is certified by DNV
ISO 9001 • ISO 14001

Get into the flow

Get into the flow with Armatec.



armatec

info@armatec.se | +46 31 89 01 00 | www.armatec.se