

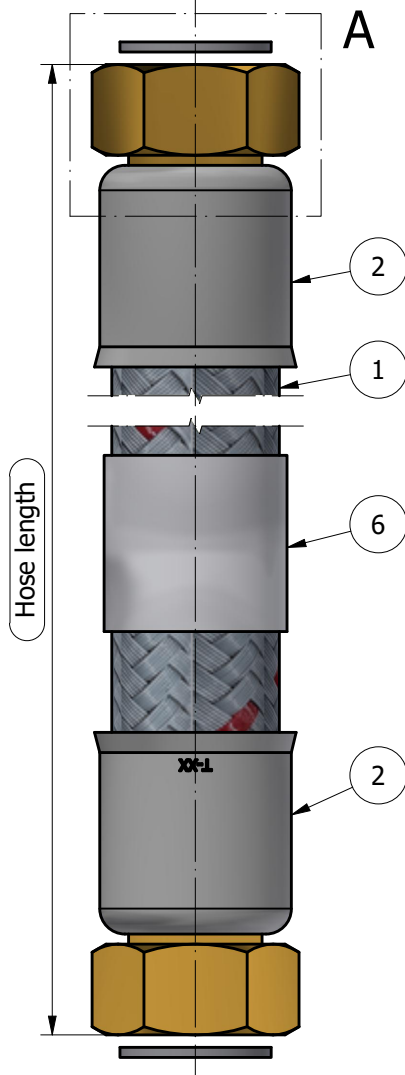
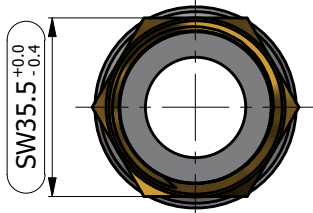
DN25

Item	Qty	Part Number	Description	Material	Treatment
1	1	24370	PIPE TWIST O2B ACB DN25	Corrugated PERT O2B Barrier Braiding PET	-
2	2	11592	SLEEVE DN25-H40-ID40	Stainless Steel AISI 304 Acc. ASTM A580-A	-
3	2	23816	NIPPLE G1" Mltr.Cil. DN25	Brass CW617N Acc. EN-12164 and ET041	-
4	2	10107.9	NUT-G1"-H18-35.5	Brass CW617N Acc. EN-12164 and ET041	Blasting
5	2	12963	WASHER G1"	FIBER	-
6	1	13436	LABEL	Polypropylene (PP)	-

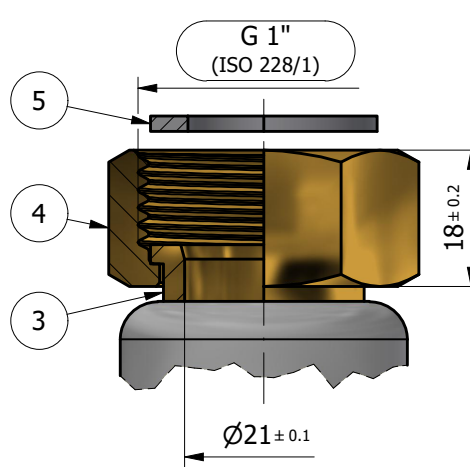
Part Number	Description	Hose length	ARMATEC Ref.	ARMATEC Description
212190	EXTRA-TWIST-O2B-ACB-HG-1-200-ARMATEC	205 ± 5	5745AKF2520011	Slang AKF DN25 200 inv 1" x inv 1"
212191	EXTRA-TWIST-O2B-ACB-HG-1-400-ARMATEC	405 ± 5	5745AKF2540011	Slang AKF DN25 400 inv 1" x inv 1"
212192	EXTRA-TWIST-O2B-ACB-HG-1-1200-ARMATEC	1215 ± 15	5745AKF25120011	Slang AKF DN25 1200 inv 1" x inv 1"
212193	EXTRA-TWIST-O2B-ACB-HG-1-1500-ARMATEC	1520 ± 20	5745AKF25150011	Slang AKF DN25 1500 inv 1" x inv 1"
212194	EXTRA-TWIST-O2B-ACB-HG-1-2000-ARMATEC	2030 ± 30	5745AKF25200011	Slang AKF DN25 2000 inv 1" x inv 1"

General Notes:

- All dimensions are in mm.
- Product marking according to Tucai Engineering Standard ET-050.
- Pressing parameters according to Tucai Engineering Standard ET-035.
- Width across flat surfaces according to DIN 475-1.
- General and geometrical tolerances according to ISO 2768-mK.
- Surface texture according to ISO 1302.
- Hose length not to scale.
- Packaging specific for client - No mention of Tucai in packaging.
- Attach washer with elastic band.
- Working Parameters:
  - Minimum operating temperature: -20°C
  - Maximum operating temperature: 90°C
  - Maximum operating pressure: 10 bar



Detail A  
1 : 1



3D View  
1 : 3



NON TOLERANCED DIMENSIONS acc. EN 22768-m from 0 to 6 mm. ± 0.1 from 6 to 30 mm. ± 0.2 from 30 to 120 mm. ± 0.3 from 120 to 400 mm. ± 0.5	RADII AND CHAMFER acc. EN 22768-m up to 3 mm ± 0.2 over 3 mm. ± 0.5	NON TOLERANCED ANGLES acc. EN 22768-m Length (mm) of the shorter side of the angle concerned from 10 to 50 mm. 0± 30' from 50 to 120 mm. 0± 20' from 120 to 400 mm. 0± 10'
GENERAL SURFACE ROUGHNESS Ra 3.2	NO SHARP EDGES PERMITTED	INSPECTION DIMENSION
BRASS MATERIAL SHALL BE STRESS RELIEVED	NON TOLERANCED HEXAGONS h13	

a	05/12/2024	Initial release	9775	JMA	DDO
REV	DATE	DESCRIPTION	PET	DESIGNER	CHECKED BY

DESIGNER	JMA	05/12/2024
APPROVED BY	DDO	05/12/2024

# HOSE ASSEMBLY



EXTRA-TWIST-O2B-ACB-HG-1-ARMATEC

Code  
**212190-T**