

Butterflyvalve AT2313B



Product information

High quality valve made of ductile iron with duplex stainless steel disc and has a vulcanised lining for a long product life cycle. The EPDM rubber used in the valve is suitable for hot water, salt water, ammonia water, air, neutral gases, some diluted inorganic acids and some alcohols (max 30%). The connection is flanged according to EN1092. The valve has low torque and low pressure drop. Choose Butterfly Valve AT 2313B for reliable and efficient operation.

| | |
|-----------------------------|--------------|
| Dimension range (DN) | 40 - 800 |
| PN | 16 |
| Temperature (°C) | -20 - 110 |
| Main material | Ductile iron |

Area of use

This product is of the highest quality and is designed to withstand pressure class PN16 and temperatures ranging from -20 to 110 °C. It is developed to fit within the dimensional range (DN, liters) from 40 to 600. With this product, you can be sure that you are getting a reliable and robust solution for your needs.

For shut-off and regulation of:

- Hot and cold water:
- Heating and cooling systems
- Water-glycol mixtures
- Water with some oil content
- Saltwater, brackish water
- Vacuum
- Neutral gases

EPDM rubber: Hot water, air, neutral gases, some diluted inorganic acids, some alcohols (max 30%).

Tender text

PSB.2 Rotary butterfly valves

Butterfly valve AT 2313B, with a cast iron body and a fixed vulcanized EPDM liner in the body, as well as a duplex stainless steel disc.

AT 2313BS with lever standard up to DN150,

AT 2313BV with gearbox standard from DN150.

Quality assurance

AFS 2023:5, PED 2014/68/EU

The product is CE marked

Product marking: Model, DN, Flange, Bodymaterial, Seat material, Disc material, PS, TS, PT, date of test, serialnumber, standard and AT-number

Energy and environment declaration

Reach date: 3/3/2026 8:08:00 AM

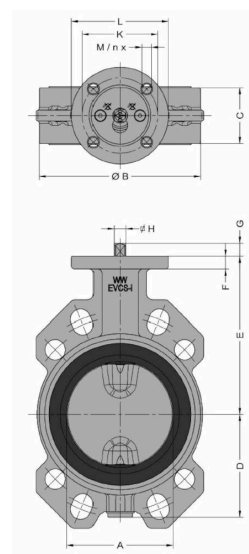
List of details

| Pos | Component | Material |
|-----|-----------|----------|
|-----|-----------|----------|

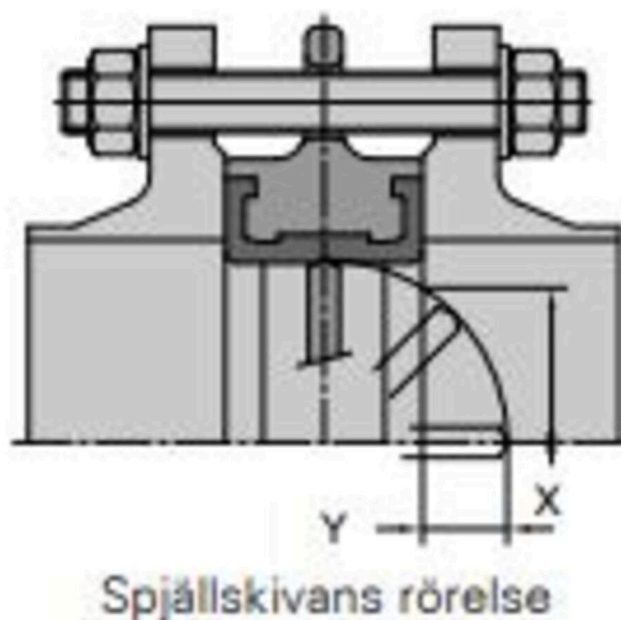
Measurements and weight

Dimension range (DN): 40 - 800

| Item number | A | B | C | D | E | F | G | Net weight (kg) |
|-------------|-----|-----|-----|-----|-----|----|----|-----------------|
| 2313BS40 | 40 | 86 | 33 | 58 | 113 | 12 | 34 | 3 |
| 2313BV40 | 40 | 86 | 33 | 58 | 113 | 12 | 15 | 3.1 |
| 2313BS50 | 50 | 100 | 43 | 63 | 118 | 12 | 34 | 4 |
| 2313BV50 | 50 | 100 | 43 | 63 | 118 | 12 | 15 | 4.1 |
| 2313BS65 | 65 | 115 | 46 | 71 | 126 | 12 | 34 | 5 |
| 2313BV65 | 65 | 115 | 46 | 71 | 126 | 12 | 15 | 5.1 |
| 2313BS80 | 80 | 130 | 46 | 78 | 133 | 12 | 34 | 5 |
| 2313BV80 | 80 | 130 | 46 | 78 | 133 | 12 | 15 | 5.1 |
| 2313BS100 | 100 | 150 | 52 | 98 | 147 | 12 | 34 | 6 |
| 2313BV100 | 100 | 150 | 52 | 98 | 147 | 12 | 15 | 6.1 |
| 2313BS125 | 125 | 182 | 56 | 109 | 160 | 12 | 34 | 9 |
| 2313BV125 | 125 | 182 | 56 | 109 | 160 | 12 | 16 | 9.1 |
| 2313BS150 | 150 | 210 | 56 | 133 | 180 | 14 | 34 | 10 |
| 2313BV150 | 150 | 210 | 56 | 133 | 180 | 14 | 16 | 10.2 |
| 2313BV200 | 200 | 262 | 60 | 158 | 204 | 14 | 19 | 15.2 |
| 2313BV250 | 250 | 315 | 68 | 194 | 245 | 15 | 24 | 24.85 |
| 2313BV300 | 300 | 371 | 78 | 219 | 270 | 15 | 24 | 36.85 |
| 2313BV350 | 336 | 405 | 78 | 236 | 315 | 15 | 24 | 43 |
| 2313BV400 | 386 | 470 | 102 | 305 | 363 | 25 | 28 | 76 |
| 2313BV450 | 436 | 522 | 114 | 330 | 388 | 25 | 28 | 86 |



| Item number | A | B | C | D | E | F | G | Net weight (kg) |
|-------------|-----|-----|-----|-----|-----|----|----|-----------------|
| 2313BV500 | 486 | 576 | 127 | 373 | 460 | 25 | 37 | 125 |
| 2313BV600 | 586 | 672 | 154 | 423 | 510 | 25 | 37 | 170 |
| 2313B-40 | 40 | 86 | 33 | 58 | 113 | 12 | 15 | 2 |
| 2313B-50 | 50 | 100 | 43 | 63 | 118 | 12 | 15 | 3 |
| 2313B-65 | 65 | 115 | 46 | 71 | 126 | 12 | 15 | 4 |
| 2313B-80 | 80 | 130 | 46 | 78 | 133 | 12 | 15 | 4 |
| 2313B-100 | 100 | 150 | 52 | 98 | 147 | 12 | 15 | 5 |
| 2313B-125 | 125 | 182 | 56 | 109 | 160 | 12 | 16 | 8 |
| 2313B-150 | 150 | 210 | 56 | 133 | 180 | 14 | 16 | 9 |
| 2313B-200 | 200 | 262 | 60 | 158 | 204 | 14 | 19 | 14 |
| 2313B-250 | 250 | 315 | 68 | 194 | 245 | 15 | 24 | 23 |
| 2313B-300 | 300 | 371 | 78 | 219 | 270 | 15 | 24 | 35 |



| DN | X | Y |
|----|----|---|
| 40 | 24 | 4 |

| DN | X | Y |
|-----|-----|-----|
| 50 | 27 | 4 |
| 65 | 47 | 10 |
| 80 | 67 | 18 |
| 100 | 87 | 25 |
| 125 | 113 | 35 |
| 150 | 140 | 48 |
| 200 | 191 | 70 |
| 250 | 242 | 92 |
| 300 | 289 | 111 |

Function and design

Fully sealed maintenance-free butterfly valve with a centrally located disc, split spindle, and a completely housed body with in-house vulcanized rubber lining that eliminates the risk of gap corrosion, protects the valve body internally against corrosion, and serves as a flange gasket. The manufacturing process ensures excellent sealing and increased lifespan as wear of the lining is eliminated. The profile of the disc is crucial to achieving good flow characteristics, which ultimately leads to minimizing energy losses. The valve is tight regardless of the flow direction.

Valve body with semi-LUG mounting ears for one-sided installation. AT 2313B is equipped with mounting ears up to DN 350. Hole pattern DN40-DN350 fits flanges PN6/PN10/PN16 and CL150. Construction length according to SS-EN 558, series 20. Top flange according to ISO 5211.

Standard surface treatment class C3 according to ISO 12944.

For outdoor installation where there are significant amounts of air pollution or moderate amounts of salt, such as in industrial and coastal areas, without rain protection, class C4 is recommended.

Technical data

Main material: Ductile iron

Main material code: Ductile iron GJS-400-15 (GGG40)

Included materials: Ductile iron, Stainless steel, Rubber

Included material code: EPDM (ethylene propylene diene monomer rubber), Stainless steel (1.4470)

Temperature (°C): -20 - 110

PN: 16

Connection: Flanged EN1092

ETIM classification: EC010910 - Butterfly valve

BK04 code: 20706 Single-leaf dampers

Product colour: RAL 2000 - Yellow orange

Technical data

| Item number | KVS | Connection according to ISO 5211 | Stem measurements | Required torque (Nm) | Leakagerate |
|-------------|-------|----------------------------------|-------------------|----------------------|--------------------------------|
| 2313BS40 | 95 | F07 | 10x10mm | 4 | Rate A acc. to EN 12266-1:2012 |
| 2313BV40 | 95 | F07 | 9x9mm | 4 | Rate A acc. to EN 12266-1:2012 |
| 2313BS50 | 95 | F07 | 10x10mm | 6 | Rate A acc. to EN 12266-1:2012 |
| 2313BV50 | 95 | F07 | 9x9mm | 6 | Rate A acc. to EN 12266-1:2012 |
| 2313BS65 | 231 | F07 | 10x10mm | 10 | Rate A acc. to EN 12266-1:2012 |
| 2313BV65 | 231 | F07 | 9x9mm | 10 | Rate A acc. to EN 12266-1:2012 |
| 2313BS80 | 491 | F07 | 10x10mm | 16 | Rate A acc. to EN 12266-1:2012 |
| 2313BV80 | 491 | F07 | 9x9mm | 16 | Rate A acc. to EN 12266-1:2012 |
| 2313BS100 | 690 | F07 | 12x12mm | 29 | Rate A acc. to EN 12266-1:2012 |
| 2313BV100 | 690 | F07 | 11x11mm | 29 | Rate A acc. to EN 12266-1:2012 |
| 2313BS125 | 1450 | F07 | 12x12mm | 45 | Rate A acc. to EN 12266-1:2012 |
| 2313BV125 | 1450 | F07 | 14x14mm | 45 | Rate A acc. to EN 12266-1:2012 |
| 2313BS150 | 1945 | F07 | 16x16mm | 65 | Rate A acc. to EN 12266-1:2012 |
| 2313BV150 | 1945 | F07 | 14x14mm | 65 | Rate A acc. to EN 12266-1:2012 |
| 2313BV200 | 4095 | F07 | 17x17mm | 141 | Rate A acc. to EN 12266-1:2012 |
| 2313BV250 | 6085 | F10 | 22x22mm | 276 | Rate A acc. to EN 12266-1:2012 |
| 2313BV300 | 9570 | F10 | 22x22mm | 394 | Rate A acc. to EN 12266-1:2012 |
| 2313BV350 | 13500 | F10 | 22x22mm | 478 | Rate A acc. to EN 12266-1:2012 |
| 2313BV400 | 16350 | F14 | 27x27mm | 824 | Rate A acc. to EN 12266-1:2012 |

| Item number | KVS | Connection according to ISO 5211 | Stem measurements | Required torque (Nm) | Leakagerate |
|-------------|-------|----------------------------------|-------------------|----------------------|--------------------------------|
| 2313BV450 | 21550 | F14 | 27x27mm | 942 | Rate A acc. to EN 12266-1:2012 |
| 2313BV500 | 27700 | F16 | 36x36mm | 1459 | Rate A acc. to EN 12266-1:2012 |
| 2313BV600 | 37200 | F16 | 36x36mm | 2168 | Rate A acc. to EN 12266-1:2012 |
| 2313B-40 | 95 | F07 | 9x9mm | 4 | Rate A acc. to EN 12266-1:2012 |
| 2313B-50 | 95 | F07 | 9x9mm | 6 | Rate A acc. to EN 12266-1:2012 |
| 2313B-65 | 231 | F07 | 9x9mm | 10 | Rate A acc. to EN 12266-1:2012 |
| 2313B-80 | 491 | F07 | 9x9mm | 16 | Rate A acc. to EN 12266-1:2012 |
| 2313B-100 | 690 | F07 | 11x11mm | 29 | Rate A acc. to EN 12266-1:2012 |
| 2313B-125 | 1450 | F07 | 14x14mm | 45 | Rate A acc. to EN 12266-1:2012 |
| 2313B-150 | 1945 | F07 | 14x14mm | 65 | Rate A acc. to EN 12266-1:2012 |
| 2313B-200 | 4095 | F07 | 17x17mm | 141 | Rate A acc. to EN 12266-1:2012 |
| 2313B-250 | 6085 | F10 | 22x22mm | 276 | Rate A acc. to EN 12266-1:2012 |
| 2313B-300 | 9570 | F10 | 22x22mm | 394 | Rate A acc. to EN 12266-1:2012 |

Installation and maintenance

Flowdirection: Bi-directional

Possible mounting position: Vertical, Horizontal

Possible mounting position notes: The stem should not be mounted so that it is pointing downwards as this may cause leakage.

The valve is intended to be mounted between flanges, without gaskets, and where possible with the shafts in a horizontal position, avoid mounting the valve with the shaft downwards. In case of unilateral mounting, bolts and nuts shall not be tightened with a higher torque than specified in the table of the relevant standard. The valve should be exercised regularly to avoid the accumulation of dirt that can lead to leakage.

The company's management system
is certified by DNV
ISO 9001 • ISO 14001

Get into the flow

Get into the flow with Armatec.



armatec

info@armatec.se | +46 31 89 01 00 | www.armatec.se