

# Butterflyvalve AT2313B



## Product information

High quality valve made of ductile iron with duplex stainless steel disc and has a vulcanised lining for a long product life cycle. The EPDM rubber used in the valve is suitable for hot water, salt water, ammonia water, air, neutral gases, some diluted inorganic acids and some alcohols (max 30%). The connection is flanged according to EN1092. The valve has low torque and low pressure drop. Choose Butterfly Valve AT 2313B for reliable and efficient operation.

<b>Dimension range (DN)</b>	40 - 800
<b>PN</b>	16
<b>Temperature (°C)</b>	-20 - 110
<b>Main material</b>	Ductile iron

### Area of use

This product is of the highest quality and is designed to withstand pressure class PN16 and temperatures ranging from -20 to 110 °C. It is developed to fit within the dimensional range (DN, liters) from 40 to 600. With this product, you can be sure that you are getting a reliable and robust solution for your needs.

For shut-off and regulation of:

- Hot and cold water:
- Heating and cooling systems
- Water-glycol mixtures
- Water with some oil content
- Saltwater, brackish water
- Vacuum
- Neutral gases

EPDM rubber: Hot water, air, neutral gases, some diluted inorganic acids, some alcohols (max 30%).

### Tender text

#### PSB.2 Rotary butterfly valves

Butterfly valve AT 2313B, with a cast iron body and a fixed vulcanized EPDM liner in the body, as well as a duplex stainless steel disc.

AT 2313BS with lever standard up to DN150,

AT 2313BV with gearbox standard from DN150.

### Quality assurance

AFS 2023:5, PED 2014/68/EU

**The product is CE marked**

**Product marking:** Model, DN, Flange, Bodymaterial, Seat material, Disc material, PS, TS, PT, date of test, serialnumber, standard and AT-number

## **Energy and environment declaration**

**Reach date:** 3/3/2026 8:08:00 AM

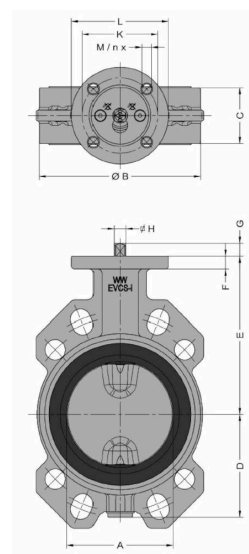
## List of details

Pos	Component	Material
-----	-----------	----------

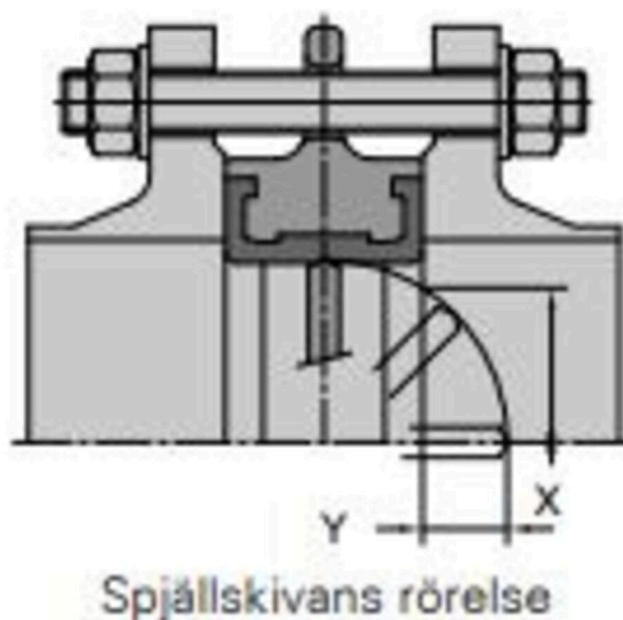
## Measurements and weight

Dimension range (DN): 40 - 800

Item number	A	B	C	D	E	F	G	Net weight (kg)
2313BS40	40	86	33	58	113	12	34	3
2313BV40	40	86	33	58	113	12	15	3.1
2313BS50	50	100	43	63	118	12	34	4
2313BV50	50	100	43	63	118	12	15	4.1
2313BS65	65	115	46	71	126	12	34	5
2313BV65	65	115	46	71	126	12	15	5.1
2313BS80	80	130	46	78	133	12	34	5
2313BV80	80	130	46	78	133	12	15	5.1
2313BS100	100	150	52	98	147	12	34	6
2313BV100	100	150	52	98	147	12	15	6.1
2313BS125	125	182	56	109	160	12	34	9
2313BV125	125	182	56	109	160	12	16	9.1
2313BS150	150	210	56	133	180	14	34	10
2313BV150	150	210	56	133	180	14	16	10.2
2313BV200	200	262	60	158	204	14	19	15.2
2313BV250	250	315	68	194	245	15	24	24.85
2313BV300	300	371	78	219	270	15	24	36.85
2313BV350	336	405	78	236	315	15	24	43
2313BV400	386	470	102	305	363	25	28	76
2313BV450	436	522	114	330	388	25	28	86



Item number	A	B	C	D	E	F	G	Net weight (kg)
2313BV500	486	576	127	373	460	25	37	125
2313BV600	586	672	154	423	510	25	37	170
2313B-40	40	86	33	58	113	12	15	2
2313B-50	50	100	43	63	118	12	15	3
2313B-65	65	115	46	71	126	12	15	4
2313B-80	80	130	46	78	133	12	15	4
2313B-100	100	150	52	98	147	12	15	5
2313B-125	125	182	56	109	160	12	16	8
2313B-150	150	210	56	133	180	14	16	9
2313B-200	200	262	60	158	204	14	19	14
2313B-250	250	315	68	194	245	15	24	23
2313B-300	300	371	78	219	270	15	24	35



DN	X	Y
40	24	4

DN	X	Y
50	27	4
65	47	10
80	67	18
100	87	25
125	113	35
150	140	48
200	191	70
250	242	92
300	289	111

## Function and design

Fully sealed maintenance-free butterfly valve with a centrally located disc, split spindle, and a completely housed body with in-house vulcanized rubber lining that eliminates the risk of gap corrosion, protects the valve body internally against corrosion, and serves as a flange gasket. The manufacturing process ensures excellent sealing and increased lifespan as wear of the lining is eliminated. The profile of the disc is crucial to achieving good flow characteristics, which ultimately leads to minimizing energy losses. The valve is tight regardless of the flow direction.

Valve body with semi-LUG mounting ears for one-sided installation. AT 2313B is equipped with mounting ears up to DN 350. Hole pattern DN40-DN350 fits flanges PN6/PN10/PN16 and CL150. Construction length according to SS-EN 558, series 20. Top flange according to ISO 5211.

Standard surface treatment class C3 according to ISO 12944.

For outdoor installation where there are significant amounts of air pollution or moderate amounts of salt, such as in industrial and coastal areas, without rain protection, class C4 is recommended.

## Technical data

**Main material:** Ductile iron

**Main material code:** Ductile iron GJS-400-15 (GGG40)

**Included materials:** Ductile iron, Stainless steel, Rubber

**Included material code:** EPDM (ethylene propylene diene monomer rubber), Stainless steel (1.4470)

**Temperature (°C):** -20 - 110

**PN:** 16

**Connection:** Flanged EN1092

**ETIM classification:** EC010910 - Butterfly valve

**BK04 code:** 20706 Single-leaf dampers

**Product colour:** RAL 2000 - Yellow orange

## Technical data

Item number	KVS	Connection according to ISO 5211	Stem measurements	Required torque (Nm)	Leakagerate
2313BS40	95	F07	10x10mm	4	Rate A acc. to EN 12266-1:2012
2313BV40	95	F07	9x9mm	4	Rate A acc. to EN 12266-1:2012
2313BS50	95	F07	10x10mm	6	Rate A acc. to EN 12266-1:2012
2313BV50	95	F07	9x9mm	6	Rate A acc. to EN 12266-1:2012
2313BS65	231	F07	10x10mm	10	Rate A acc. to EN 12266-1:2012
2313BV65	231	F07	9x9mm	10	Rate A acc. to EN 12266-1:2012
2313BS80	491	F07	10x10mm	16	Rate A acc. to EN 12266-1:2012
2313BV80	491	F07	9x9mm	16	Rate A acc. to EN 12266-1:2012
2313BS100	690	F07	12x12mm	29	Rate A acc. to EN 12266-1:2012
2313BV100	690	F07	11x11mm	29	Rate A acc. to EN 12266-1:2012
2313BS125	1450	F07	12x12mm	45	Rate A acc. to EN 12266-1:2012
2313BV125	1450	F07	14x14mm	45	Rate A acc. to EN 12266-1:2012
2313BS150	1945	F07	16x16mm	65	Rate A acc. to EN 12266-1:2012
2313BV150	1945	F07	14x14mm	65	Rate A acc. to EN 12266-1:2012
2313BV200	4095	F07	17x17mm	141	Rate A acc. to EN 12266-1:2012
2313BV250	6085	F10	22x22mm	276	Rate A acc. to EN 12266-1:2012
2313BV300	9570	F10	22x22mm	394	Rate A acc. to EN 12266-1:2012
2313BV350	13500	F10	22x22mm	478	Rate A acc. to EN 12266-1:2012
2313BV400	16350	F14	27x27mm	824	Rate A acc. to EN 12266-1:2012

Item number	KVS	Connection according to ISO 5211	Stem measurements	Required torque (Nm)	Leakagerate
2313BV450	21550	F14	27x27mm	942	Rate A acc. to EN 12266-1:2012
2313BV500	27700	F16	36x36mm	1459	Rate A acc. to EN 12266-1:2012
2313BV600	37200	F16	36x36mm	2168	Rate A acc. to EN 12266-1:2012
2313B-40	95	F07	9x9mm	4	Rate A acc. to EN 12266-1:2012
2313B-50	95	F07	9x9mm	6	Rate A acc. to EN 12266-1:2012
2313B-65	231	F07	9x9mm	10	Rate A acc. to EN 12266-1:2012
2313B-80	491	F07	9x9mm	16	Rate A acc. to EN 12266-1:2012
2313B-100	690	F07	11x11mm	29	Rate A acc. to EN 12266-1:2012
2313B-125	1450	F07	14x14mm	45	Rate A acc. to EN 12266-1:2012
2313B-150	1945	F07	14x14mm	65	Rate A acc. to EN 12266-1:2012
2313B-200	4095	F07	17x17mm	141	Rate A acc. to EN 12266-1:2012
2313B-250	6085	F10	22x22mm	276	Rate A acc. to EN 12266-1:2012
2313B-300	9570	F10	22x22mm	394	Rate A acc. to EN 12266-1:2012

## Installation and maintenance

**Flowdirection:** Bi-directional

**Possible mounting position:** Vertical, Horizontal

**Possible mounting position notes:** The stem should not be mounted so that it is pointing downwards as this may cause leakage.

The valve is intended to be mounted between flanges, without gaskets, and where possible with the shafts in a horizontal position, avoid mounting the valve with the shaft downwards. In case of unilateral mounting, bolts and nuts shall not be tightened with a higher torque than specified in the table of the relevant standard. The valve should be exercised regularly to avoid the accumulation of dirt that can lead to leakage.

The company's management system  
is certified by DNV  
ISO 9001 • ISO 14001

# Get into the flow

Get into the flow with Armatec.



**armatec**

info@armatec.se | +46 31 89 01 00 | www.armatec.se