

Ball Valve

Full bore

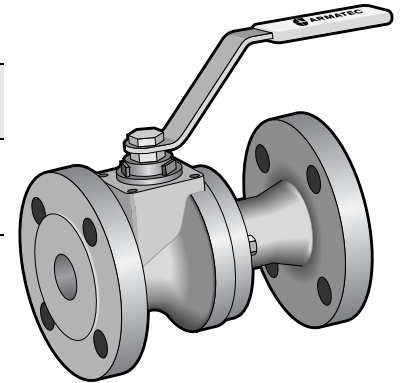
AT 3582, 3585

Dimension range DN 15-300	PN 16-40	Temperature range 200 °C	Material Stainless steel Steel
-------------------------------------	--------------------	------------------------------------	---

Range of Application

As shut-off valve mainly for:

Valve of stainless steel AT 3582	Valve of steel AT 3585
Acids and saline solutions Solvents and alcohols LPG, natural gases and petroleum products	Warm and cold water, compressed air Saturated steam max 6 bar (e) LPG, natural gases and petroleum products



AT 3582

Quality Assurance

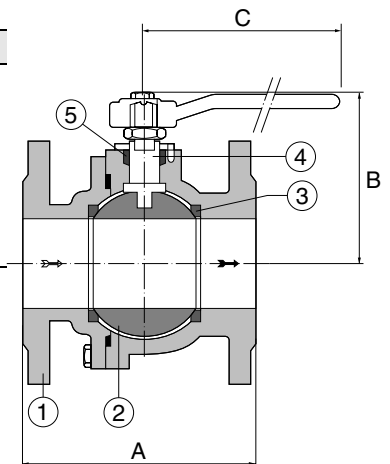
Testing is carried out according to SS-ISO 5208 leakage class 3 and applies to the valve type.

CE-marking

Fullfil PED 97/23/EC acc. to category III group 1 and 2.

Material Specification

		AT 3582			AT3585		
1	Body	stainless steel	DN 15	A351GrCF8M			
		stainless steel	DN 20-300	G-X6CrNiMo18.10			
2	Ball	stainless steel	DN 15-32	A351GrCF8M	DN 15-300	GS-C25N	
		stainless steel	DN 40-300	AISI316	DN 15-32	A351GrCF8M	
3	Seat rings			PTFE	DN 40-300	AISI316	PTFE
4	Stem	stainless steel		AISI316		AISI316	PTFE
5	Stem gasket			PTFE		PTFE	



Dimension and Weight

DN	15	20	25	32	40	50	65	80	100	125	150	200	250	300
A	115	120	125	130	140	150	170	180	190	325	350	400	450	500
B	95	98	112	163	176	186	203	216	215	240	279	307	345	389
C	160	160	160	213	213	213	300	300	465	715	774	845	**	**
Weight	2,6	3,5	4,2	6,6	8,7	11,4	15,9	22	35	56,6	78	136	242	319

Measurements in mm. weight in kg

** With worm gear.

Ball Valve

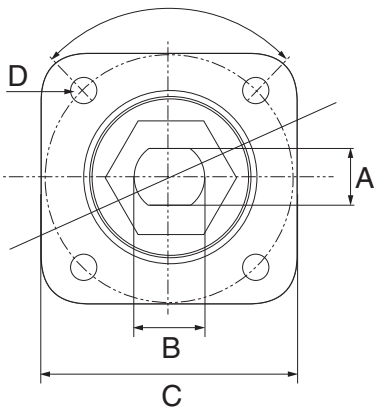
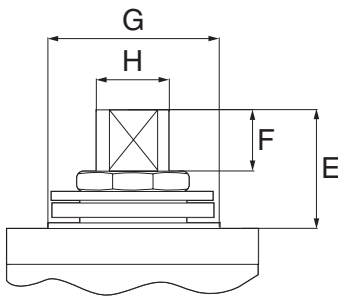
Full bore

AT 3582, 3585

Actuator mounting, measurements

DN	15	20	25	32	40	50	65	80	100	125	150	200
A	9	9	9	12	13	13	16	18	20	25	29	32
C	50	50	50	50	70	70	70	102	102	125	125	140
D	M6	M6	M6	M6	M8	M8	M8	M10	M10	M12	M12	M16
E	11,5	15	24	32	39,5	41,5	44	44,5	56,5	56	56	70
F	5,7	9,2	10,2	12,2	16,2	18,2	18,1	18,7	28,5	27,6	35,2	36
G Ø	35	35	35	35	55	55	55	70	70	85	85	100

Measurements in mm.



Function and Design

2-piece, full-bore ball valve in fire-safe design. With homogenous floating ball for tight shut-off and low pressure drop.

The antistatic and blow-out safe stem according to BS 5351 prevents the stem to blow out at pressure hammer.

Mounting flange according to ISO 5211 for actuators is standard.

DN 200 and above have double bearings.

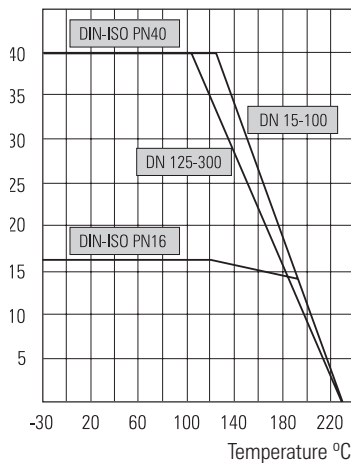
Technical Information

Fig. no.	DN	Working pressure max. bar	Working temperature max. °C
AT 3582	15-100	40	200
AT 3582	125-300	16	200
AT 3585	15-150	40	200
AT 3585	200-300	16	200

Pressure and temperature acc. to current standards.

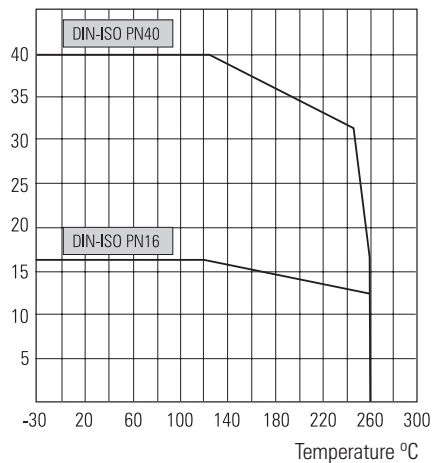
STANDARD

Pressure Bar (e)



HIGH PRESSURE PERFORMANCE (HT)

Pressure Bar (e)



Torque, non pressurised condition and Kvs

DN	15	20	25	32	40	50	65	80	100	125	150	200	250	300
Nm	8	10	15	22	25	40	55	85	130	180	250	340	1100	1400
Kvs	20	40	75	130	170	270	550	1000	1650	3000	4200	9000	15000	20800

Rätten till ändringar utan föregående meddelande förbehålls.
Armotec ansvarar inte för eventuella tryckfel eller missförstånd.
Dokumentet får kopieras endast i sin helhet.

Ball Valve

Full bore

AT 3582, 3585

Accessories and Options

The valves can be provided with electrical or pneumatic actuator, worm gear and stem extension.

Valves in high temperature design.

Face to face dimensions acc. to ANSI B16.10 and with flanges drilled acc. to ANSI Class 150, 300 and 600.

Installation

Fig. no.	Connection
AT 3582 DN 15-100 AT 3585 DN 15-150	Flanges acc. to PN40
AT 3582 DN 125-300 AT 3585 DN 200-300	Flanges acc. to PN16

Maintenance and Spare parts

A full set of spare parts, including seat ring, stem gaskets and body gasket, AT 3586-1 is available and can be ordered.

Marking

Manufacturer, DN, PN and material.

How to order

Example: AT 3582-15			
AT 35	82	-	15
Fig. no.	Material 82 = Stainless steel, face to face acc. to DIN 85 = Steell	Additional art. code HT = High temperature	DN