

# Ball Valve

AT 3640

<b>Dimension range</b> 3/8"-2"	<b>PN</b> 25	<b>Temperature range</b> -30 - 150 °C	<b>Material</b> Brass
-----------------------------------	-----------------	--	--------------------------

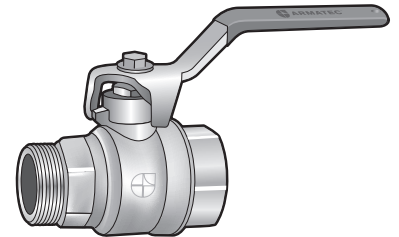
## Range of Application

Shut-off valve, silicon free for heating, cooling, air and gas systems. The valve can also be used for vacuums and lighter oils.

## Quality Assurance

### CE-Marking

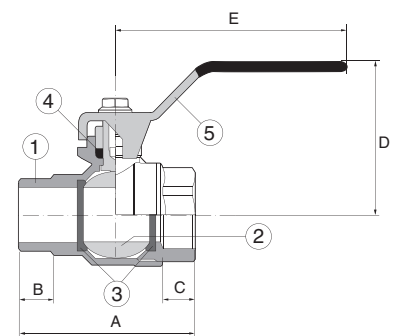
According to PED 97/23/EC category III group A1.



AT 3640

## Material Specification

1	Body	brass, SIS 5168
2	Ball	brass, SIS 5168, chrome-plated
3	Seat rings	PTFE
4	Stem gasket	graphite
5	Lever	steel, plastic-coated, gray



## Dimension and Weight

Connection	A	B	C	D	E	F	Weight
3/8"	46,5	9	10	41	80	6*5	0,12
1/2"	56	11,5	12	53	90	7*6	0,22
3/4"	65,5	12	12	57	90	7*6	0,31
1"	76	14,5	16	65	125	9*8	0,53
1 1/4"	91	16	18	71	125	9*8	0,83
1 1/2"	105	17	19	79	140	11*10	1,27
2"	122	19	21	87	140	11*10	1,90

Measurements in mm, weight in kg

## Function and Design

Two piece ball valve with full bore and blow-out safe stem.

## Accessories and Options

The valves can be equipped with locking device (AT 3619) for open and closed position. Separate stem extensions (AT 3603) and lever of stainless steel (AT 3604RF)

are available on request. Stem's square-measure has to be specified when ordering.

## Installation

The valves have internal/external threads. For air- and gas-installations with pressure more than 6 bar it is necessary with follow-up draft of stuffing box.

## Marking

Manufacturer, DN

## How to order

DN	Art.no.
10	AT 3640-10
15	-15
20	-20
25	-25
32	-32
40	-40
50	-50